

# CATALOG 2026

**FOR PLEASANT AND SAFE** LIVING AND WORKING



**ISOLATION**  
DRAUGHT  
PROOFING



**SAFETY**  
SMOKE AND  
FIRE PROOFING



**COMFORT**  
SOUND  
PROOFING



**PREVENTION**  
FINGER PROTECTION

Everything about sustainable,  
safe and energy-saving  
solutions

# FOREWORD

This is the new Ellen catalog!  
The familiar products you know,  
but in a fresh and modern design.

In addition to the familiar product information, you will now also find clear product images. Moreover, QR codes have been added to some products, leading you directly to detailed installation instructions.

These can be found on Ellen's new website: [www.ellen-profiles.com](http://www.ellen-profiles.com). Easily navigate via the product menu and quickly find the right product solutions by using one of the many filter options.

Our draftproofing specialists  
are available to provide you with  
the best service and advice.

Contact us:



+31 (0)50 502 11 99  
(weekdays from 8am to 5pm)



for product related questions:  
[nfo@ellen-profielen.nl](mailto:nfo@ellen-profielen.nl)

For questions concerning  
orders and deliveries:  
[ellen@elton.nl](mailto:ellen@elton.nl)

## Important information when using the catalog

### Icon usage



Indicates that the item in question offers protection against fire and hot smoke and is certified accordingly.



Indicates that the item in question offers protection against smoke and is certified accordingly.



Indicates that the item in question offers protection against noise pollution and is certified accordingly. The achieved noise protection is indicated in dB.



Indicates that the item in question can create a threshold-free environment.



Indicates that the item in question offers protection against drafts.

### Additional processing

Depending on the product type, Elton offers the option of additional processing:

- **Custom cutting:** Profiles can be custom-cut by Elton for an additional charge.
- **Notches:** The ANB S5 and ANB S6 profiles can be notched upon request and for an additional charge.
- **Anodizing and lacquering:** A top layer of anodized aluminium or lacquer provides extra protection and gives the profile an attractive appearance. A number of non-anodized Ellen profiles are also available lacquered or anodized upon request and for an additional charge. This is then listed as an additional processing for the relevant products. Ask our specialists about the possibilities.
- **Espagnolette recess:** This is possible with for example, the Soundproof. Ask our specialists about the possibilities.



# ABOUT ELLEN

## PASSION FOR SEALING

Ellen is synonymous with reliable, effective, and sustainable solutions in the world of draft, sound, smoke, and fire proofing windows and doors. With a rich history dating back 75 years, we have dedicated ourselves to designing environments where comfort and safety are paramount.

More than seven decades of dedication. At Ellen, we are proud of our long history, in which we have consistently strived for the right solutions. We have raised the bar in the industry by offering sustainable solutions and reliable products.

Read more: [www.ellen-profiles.com/about-us](http://www.ellen-profiles.com/about-us)

## Functionality meets design

The Ellen range consists of carefully designed profiles that are not only functional but also aesthetically pleasing. Whether it's draft-proofing solutions that improve your energy efficiency, soundproofing products that promote peace and quiet, or smoke and fire-resistant solutions that meet the highest safety standards, we offer solutions that suit your needs.

When selecting the materials for our profiles, we adhere to strict standards for quality, durability, and specifications. We believe that the foundation of reliable products begins with the materials from which they are made. Therefore, we are committed to delivering products that not only meet the right criteria but often exceed them.

## Reliable, Effective, Sustainable, Passionate

Our core values form the foundation of everything we do. Reliability is our foundation, effectiveness is our benchmark, sustainability is our commitment, and passion is our driving force. These values guide us every day as we work to improve the living environments of people around the world.

## Partnership and Collaboration

At Ellen, we view our customers as partners with a shared goal: creating better and safer environments. Our dedicated team is ready to support you with every project, providing expert advice and solutions perfectly tailored to your needs.

Welcome to Ellen – where tradition and innovation converge, and where the future of comfort and safety is shaped. Discover the reliability of 75 years of Ellen expertise in every profile we deliver.

# PACKAGING THE SUSTAINABLE PRESENT

At Ellen, we're constantly looking for ways to create a pleasant and **safe living and working environment**, focusing on both **comfort and energy savings**. Besides helping people **save energy**, we're also committed to **sustainable business practices**. This is reflected in our products, as well as in our new packaging line. Our brand-new packaging is made from **recycled cardboard**, contributing to **a greener planet**. Accessories are packaged in cardboard, 80% recycled plastic, or **biodegradable** plastic made from sugarcane.

The packaging isn't just good for the environment; it also has a fresh new design. We've given Ellen a new, contemporary look. Our sustainable packaging shows that we care about the planet and our children. At Ellen, we believe in a greener future, and our new packaging is an important step towards that.



# THE FUTURE: UNABLY UNFINISHED



Frame seals	1 ▶
Perimeter seals	2 ▶
Rebate perimeter seals	3 ▶
Self-adhesive weatherstrips	4 ▶
Wear strips	5 ▶
Door bottom seals	6 ▶
Industrial (brush) seals	7 ▶
Drop seals and accessories	8 ▶
Special profiles	9 ▶
Letter box covers	10 ▶
Finger protection	11 ▶
Fasteners and tools	12 ▶

NEW BY ELLEN:

# STYLISHLY DESIGNED BLACK PRODUCTS

De **Ellen Blackline** is a striking **new line** of stylishly designed black products that perfectly complements the current industrial **interior design trend**. This trend is characterized by the use of robust, seemingly unfinished materials like **steel and concrete**, and a color palette of **bold hues** including gray, leather, and, of course, black.

The Ellen Blackline products combine sleek lines with a timeless design, making them not only functional but also an aesthetic addition to any modern space. Whether furniture or accessories, the Ellen Blackline adds a powerful and elegant touch to any interior. Naturally, the black products retain their unique sealing properties.



## Elegance Cassette

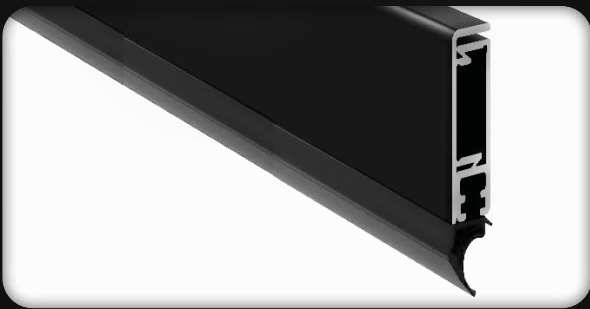
The Elegance Cassette is the holder profile for EllenMatic drop seals in surface-mounted applications. It's ideal for a sleek finish and a seamless fit with the frame, on both wooden and glass doors. The Elegance Cassette is available in a brushed black finish.

The Cassette can be used for the Soundproof, Uni-Proof and Brush models, and a smaller, more elegant version is available for the EllenMatic Slim Soundproof. A protection plate in the same color can be ordered to finish the back of the door.

	STANDARD LENGTH	EAN (PC.)	PACK.UNIT	ART.NO.
ELEGANCE CASSETTE BLACK BRUSHED	1000 mm	8711286236237	5 pc./box	208000 <b>410</b>
PROTECTION PLATE BLACK BRUSHED	1030 mm	8711286236251	5 pc./box	209004 <b>103</b>
ELEGANCE SLIM CASSETTE CUSTOM LENGTH	At request	n.a.	Per piece	208100 <b>099</b>
SLIM PROTECTION PLATE CUSTOM LENGTH	At request	n.a.	Per piece	209100 <b>099</b>

## Perimeter seal ASP Doorset - black

The aluminium profile (ASP) is ideal for renovating hotels and offices. It is now also available with a black anodized cover for seamless sealing of existing wooden doors and frames. The ASP blocks drafts and noise. It has also been tested for smoke resistance (Sa).



STANDARD LENGTH	EAN (PC.)	PACK.UNIT	ART.NO.
<b>2x230 m + 1x115cm</b>	8711286103058	1 set/tube	010854223

## Rebate perimeter seal AIB 3N XL - black

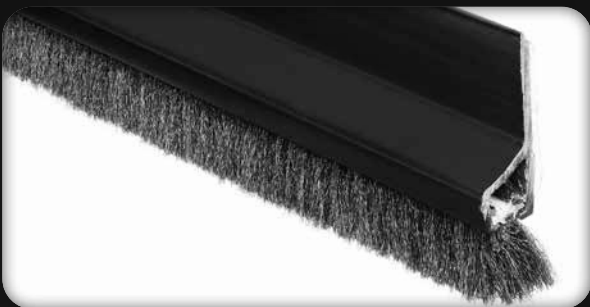
Frame constructions with a rebate clearance are also considered. The popular AIB 3N XL profile is also available in a black anodized version for a sleek black finish on doors and frames. Available in a length of 230 cm.



LENGTH	EAN (PC.)	PACK.UNIT	ART.NO.
<b>230 cm</b>	8711286339198	25 lgt./tube	310114923

## Door bottom seals Deco and Comfort

Door bottom seals are ideal for sealing the bottom of interior doors. A black plastic version has now been added to the range. Available as a screw-on version (Deco) or as a self-adhesive product (Comfort).



DECO (PDS 3B)	EAN (PC.)	PACK.UNIT	ART.NO.
<b>100 cm</b>	8711286339211	6 pc./box	110504050

COMFORT (PDS 3B ZK)	EAN (PC.)	PACK.UNIT	ART.NO.
<b>100 cm</b>	8711286861927	6 pc./box	110604050

## Letterbox seals With lid

Letterbox openings are stylishly sealed with an additional seal on the inside of the (front) door. Ellen letterbox seals are equipped with a velvet brush that blocks out drafts. There are two versions: one with a plastic lid and one with an aluminium lid.



	EAN (PC.)	PACK.UNIT	ART.NO.
<b>PLASTIC BLACK</b>	8711286880300	10 pcs.	810204050
<b>ALUMINIUM BLACK</b>	8711286880707	5 pcs.	810309050

**NEW BY ELLEN:  
INTUMESCENT PROFILES**

GAIN

# **MORE TIME TO FLEE WITH FIRE PROTECTION**

In **emergency situations** such as a fire, it's crucial that buildings have sufficient escape routes to ensure **people's safety**. This is especially true for **schools, apartments, hospitals, and nursing homes**, where large numbers of people are present. This makes it even more important to gain as much time as possible to create a **safe escape route**. With the implementation of European and local regulations, it's even more urgent to make existing doors in healthcare facilities fire-resistant.

For doors with a rebate clearance, this can now be even easier by choosing Ellen intumescent perimeter seals. Fitted with a strip of graphite, which expands at 200°C, gaps are sealed airtight and the fire is compartmentalized. Graphite is a material that does not build up pressure, so if the door needs to be opened for evacuation or fire suppression, this can be done relatively easy.



# THERE ARE TWO INTUMESCENT SEALS AVAILABLE:



AIB 3N XL ZK Fire

AIB 3N 25 ZK Fire



EAN (PC.)	PACK.UNIT.	ART.NO.
8711286260430	25 lgt./tube	310110993

EAN (PC.)	PACK.UNIT.	ART.NO.
8711286260454	15 lgt./tube	310200993

Both products are available in 300 cm lengths and as self-adhesive versions for quick installation. The AIB 3N XL ZK Fire is sold in a tube of 25 pieces. The AIB 3N 25 ZK Fire is sold in a tube of 15 pieces.

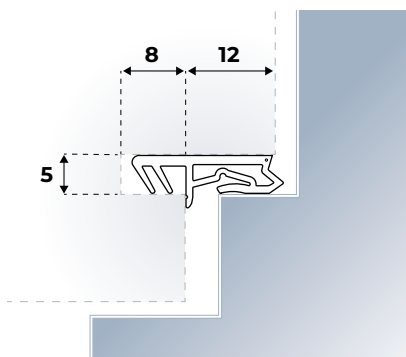
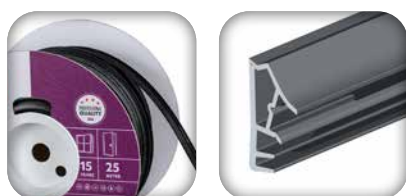
**In addition to the new intumescent seals, Ellen also has other fire-retardant and smoke-resistant profiles such as the EllenMatic Soundproof and the ASP.**

For more information:



# FRAME SEALS

Peripheral frame seals made of TPE or durable silicone. For wooden and uPVC windows and doors.



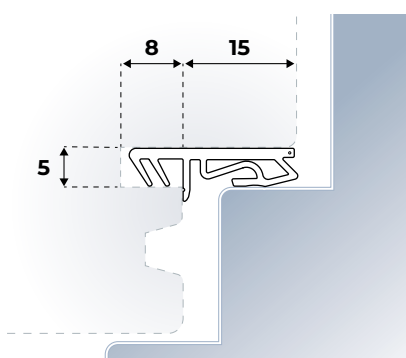
## Frame seal 1201 SCF

**Silicone frame profile with a 12 mm head height.** For (tilt and turn) windows and doors. With a threaded head to prevent cutting at the corners. The flexible silicone has low closing resistance and high recovery capacity. The 25-meter rolls are supplied with a handy cutting aid. Classified according to NEN EN 12365: W45177. C-value 0.00131 dm<sup>3</sup>/s.m<sup>2</sup>. Pa<sup>n</sup> (class 3<sup>1</sup>).

**Material:** Silicone  
**Groove size:** Width 5 mm, depth 8 mm  
**Clearance:** 5 mm  
**Rebate:** 12 mm

LENGTH (M)	COLOUR	EAN (PC.)	PACK.UNIT.	ART.NO.
150	Black	8711286805204	1 roll/box	680104901.1
25	Black	8711286810604	1 roll/box	680104950

**Installation instructions:** Place in the groove. Cut using frame cutters.



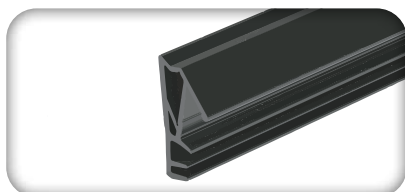
## Frame seal 1501 SCF

**Silicone frame profile with a 15 mm head height.** For (tilt and turn) windows and doors. With a threaded head to prevent cutting at the corners. The flexible silicone has low closing resistance and high recovery capacity. The 25-meter rolls are supplied with a handy cutting aid. Classified according to NEN EN 12365: W45177. C-value 0.00041 dm<sup>3</sup>/s.m<sup>2</sup>. Pa<sup>n</sup> (class 3<sup>1</sup>).

**Material:** Silicone  
**Groove size:** Width 5 mm, depth 8 mm  
**Clearance:** 5 mm  
**Rebate:** 15 mm

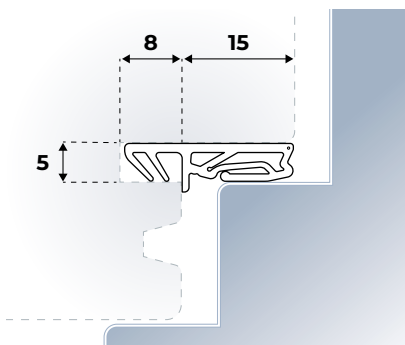
LENGTH (M)	COLOUR	EAN (PC.)	PACK.UNIT.	ART.NO.
150	Black	8711286805211	1 roll/box	680304901.1
25	Black	8711286810703	1 roll/box	680304950

**Installation instructions:** Place in the groove. Cut using frame cutters.



## Frame seal 1505 SCF

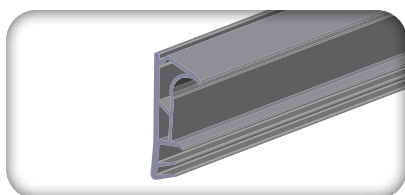
**Silicone frame profile with a 15 mm head height.** For (tilt and turn) windows and doors. With a threaded head to prevent cutting at the corners. The flexible silicone has low closing resistance and high recovery capacity.



**Material:** Silicone  
**Groove size:** Width 5 mm, depth 8 mm  
**Clearance:** 5 mm  
**Rebate:** 15 mm

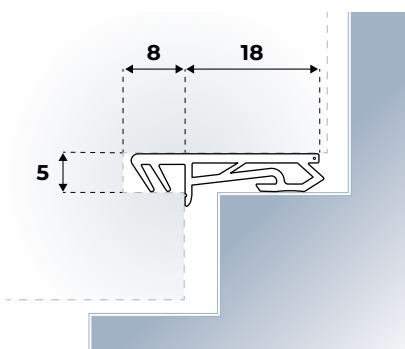
LENGTH (M)	COLOUR	EAN (PC.)	PACK.UNIT.	ART.NO.
150	Black	8711286805624	1 roll/box	680524901

**Installation instructions:** Place in the groove. Cut using frame cutters.



## Frame seal 1801 SCF

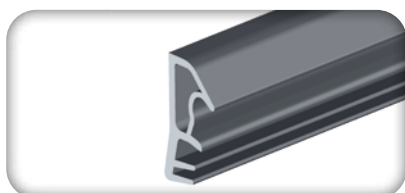
**Silicone frame profile with a 18 mm head height.** For (tilt and turn) windows and doors. With a threaded head to prevent cutting at the corners. The flexible silicone has low closing resistance and high recovery capacity. Classified according to NEN EN 12365: W45177.



**Material:** Silicone  
**Groove size:** Width 5 mm, depth 8 mm  
**Clearance:** 5 mm  
**Rebate:** 18 mm

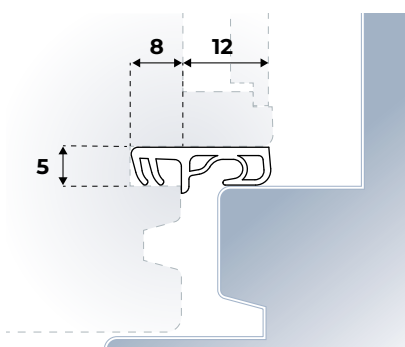
LENGTH (M)	COLOUR	EAN (PC.)	PACK.UNIT.	ART.NO.
150	Black	8711286805235	1 roll/box	680504901.1

**Installation instructions:** Place in the groove. Cut using frame cutters.



## Frame seal 8150 ACB

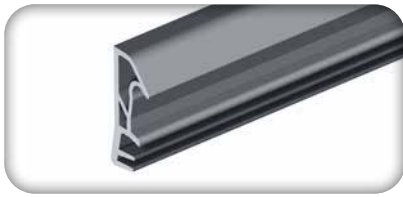
**Plastic (TPE) frame seal for welding, with a 12 mm head height.** Suitable for (tilt and turn) windows and doors. Comes with a protective film. Classified according to NEN EN 12365: W34164.



**Material:** TPE  
**Groove size:** Width 5 mm, depth 8 mm  
**Clearance:** 5 mm  
**Rebate:** 12 mm

LENGTH (M)	COLOUR	EAN (PC.)	PACK.UNIT.	ART.NO.
180	Black	8711286804054	1 roll/box	670104200

**Installation instructions:** Place in the groove. Only suitable for welding!

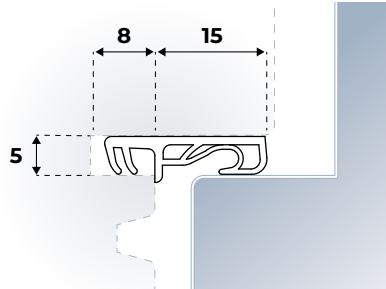


## Frame seal 8250 ACB

### Plastic (TPE) frame seal for welding, with a 15 mm head height.

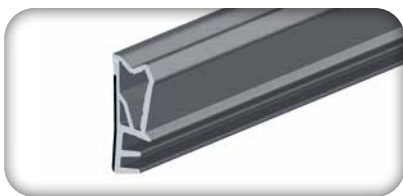
Suitable for (tilt and turn) windows and doors. Comes with a protective film.

**Material:** TPE  
**Groove size:** Width 5 mm, depth 8 mm  
**Clearance:** 5 mm  
**Rebate:** 15 mm



LENGTH (M)	COLOUR	EAN (PC.)	PACK.UNIT.	ART.NO.
150	Black	8711286804061	1 roll/box	670204200

**Installation instructions:** Place in the groove. Only suitable for welding!

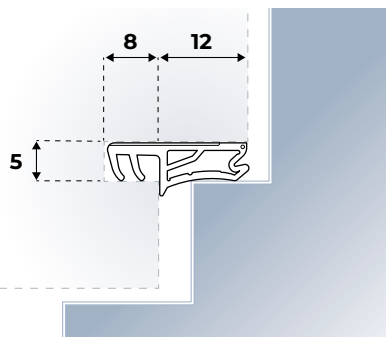


## Frame seal 8350 ACBF

### Plastic (TPE) frame seal with a 12 mm head height.

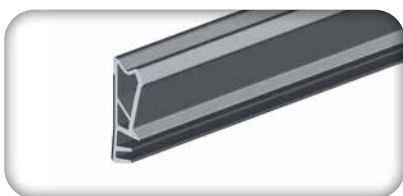
Suitable for (tilt-and-turn) windows and doors. Features a hard backing and protective film and a threaded head to prevent tearing at the corners. Classified according to NEN EN 12365: W34144. C-value 0.00483 dm<sup>3</sup>/s.m<sup>2</sup>. Pa<sup>n</sup> (class 3<sup>1</sup>).

**Material:** TPE  
**Groove size:** Width 5 mm, depth 8 mm  
**Clearance:** 5 mm  
**Rebate:** 12 mm



LENGTH (M)	COLOUR	EAN (PC.)	PACK.UNIT.	ART.NO.
180	Black	8711286804078	1 roll/box	670304200

**Installation instructions:** Place in the groove. Cut using frame cutters.

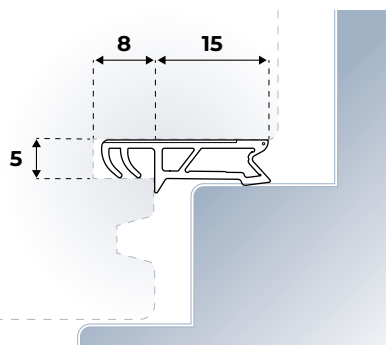


## Frame seal 8450 ACBF

### Plastic (TPE) frame seal with a 15 mm head height.

Suitable for (tilt-and-turn) windows and doors. Features a hard backing and protective film and a threaded head to prevent tearing at the corners. Classified according to NEN EN 12365: W35144. C-value 0.00681 dm<sup>3</sup>/s.m<sup>2</sup>. Pa<sup>n</sup> (class 3<sup>1</sup>).

**Material:** TPE  
**Groove size:** Width 5 mm, depth 8 mm  
**Clearance:** 5 mm  
**Rebate:** 15 mm

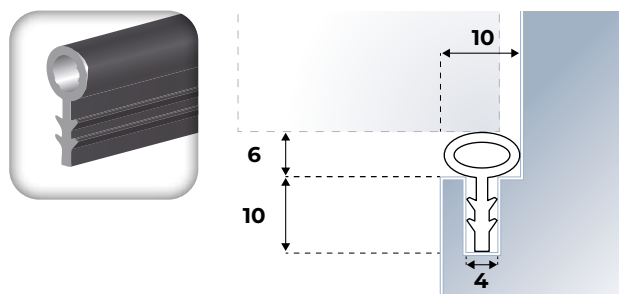


LENGTH (M)	COLOUR	EAN (PC.)	PACK.UNIT.	ART.NO.
160	Black	8711286804252	1 roll/box	670804200

**Installation instructions:** Place in the groove. Cut using frame cutters.

## Frame seal 4566 AC

**TPE frame seal for installation in a 10 mm rebate of an interior door frame.** Suitable for door constructions with a 6 mm clearance.



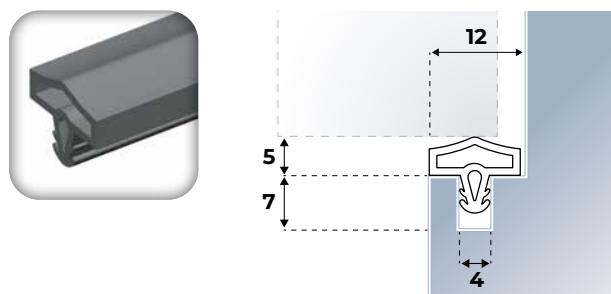
**Material:** TPE  
**Clearance:** 6 mm  
**Groove size:** Width 4 mm, depth 10 mm  
**Splicing width:** 10 mm

LENGTH (M)	COLOUR	EAN (PC.)	PACK.UNIT.	ART.NO.
100	Black	8711286699063	1 roll/box	900304210

**Installation instructions:** Cut to size and place in the groove.

## Frame seal 0680 AC

**TPE frame seal for installation in a 12 mm rebate of an interior door frame.** Suitable for door constructions with a 5 mm clearance.



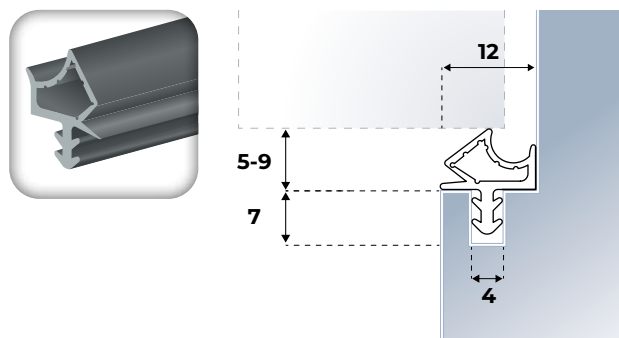
**Material:** TPE  
**Clearance:** 5 mm  
**Groove size:** Width 4 mm, depth 7 mm  
**Splicing width:** 12 mm

LENGTH (M)	COLOUR	EAN (PC.)	PACK.UNIT.	ART.NO.
100	Black	8711286802654	1 roll/box	655704200

**Installation instructions:** Cut to size and place in the groove.

## Frame seal 4291 AC

**TPE frame seal for installation in a 12 mm rebate of an interior door frame.** Suitable for door constructions with a 5 to 9 mm clearance.



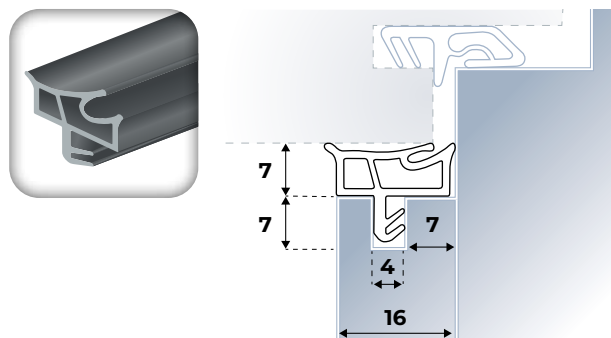
**Material:** TPE  
**Clearance:** 5 - 9 mm  
**Groove size:** Width 4 mm, depth 7 mm  
**Splicing width:** 12 mm

LENGTH (M)	COLOUR	EAN (PC.)	PACK.UNIT.	ART.NO.
100	Black	8711286803231	1 roll/box	656404200

**Installation instructions:** Cut to size and place in the groove.

## Frame seal 3451 AC

**TPE frame seal for installation in a 16 mm rebate of an interior door frame.** For additional sound reduction, the 3451 AC can be used as a second seal in a surface-mounted strip.

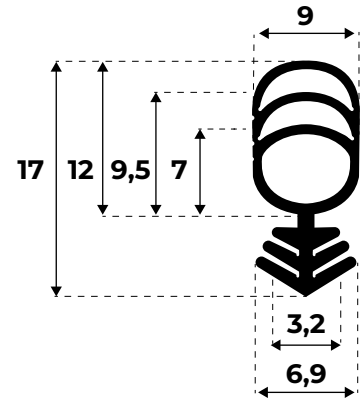
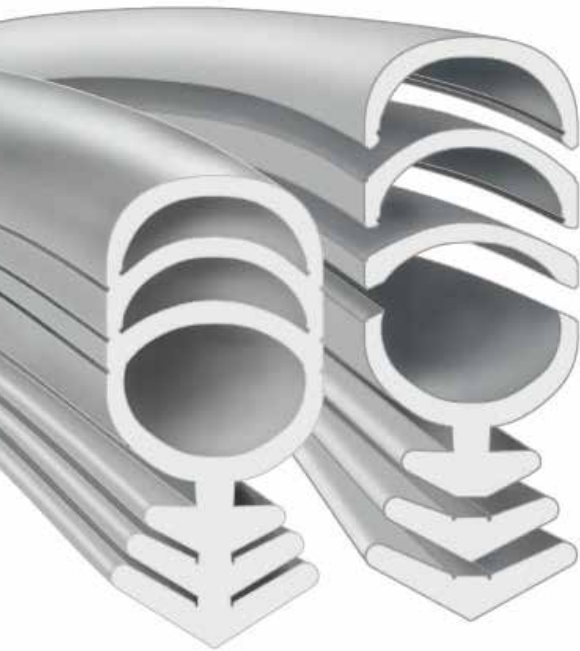


**Material:** TPE  
**Clearance:** 7 mm  
**Groove size:** Width 4 mm, depth 7 mm  
**Splicing width:** 16 mm

LENGTH (M)	COLOUR	EAN (PC.)	PACK.UNIT.	ART.NO.
50	Black	8711286803620	1 roll/box	657104200

**Installation instructions:** Cut to size and place in the groove of the special mounting strip.

# RENOVATION SEALS



## Universal+

### Universal renovation seal for uPVC windows and doors.

The sealing area is perfectly adjustable thanks to the peelable layers > gap range: 2 mm - 13 mm. This makes this product the ideal renovation seal for uPVC windows and doors! The Universal+ replaces more than 120 profiles!

- Material:** TPE
- Clearance:** 2 - 13 mm
- Groove size:** Width 3,2 - 6,9 mm, depth 3,5 - 5,5 mm



LENGTH (M)	COLOUR	EAN (PC.)	PACK.UNIT.	ART.NO.
25	Black	8711286606801	1 roll/box	918074925.1

**Installation instructions:** Cut to size by peeling off layers. Place in the frame.

Below is a selection of standard profiles that can be replaced by the Universal+.

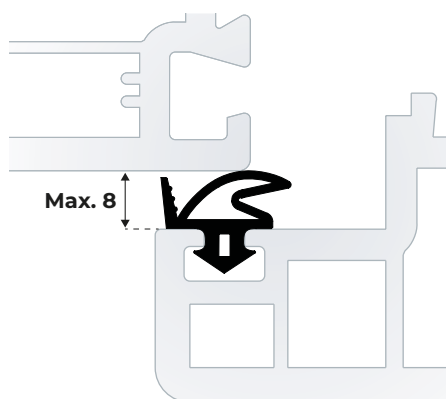




## Renovation seals made of silicone

A series of 6 silicone profiles for replacing seals in uPVC windows and doors.

**Material:** Silicone  
**Clearance:** Up to and including 8 mm  
**Groove size:** 3,5 - 5,5 mm



TYPE	LENGTH (M)	COLOUR	EAN (PC.)	PACK.UNIT.	ART.NO.
4189	25	Black	8711286606214	1 roll/box	918014925.1
4314	25	Black	8711286606245	1 roll/box	918034925.1
4246	25	Black	8711286606221	1 roll/box	918004925.1
4289	25	Black	8711286606238	1 roll/box	918024925.1
4384	25	Black	8711286606269	1 roll/box	918054925.1
4385	25	Black	8711286606276	1 roll/box	918064925.1

### Select the correct seal for the uPVC system being used.



#### Seal 4189

For replacement and improvement of the following systems:

**GEALAN - KBE - ROPLASTO - THERMOPLAST - VEKA**



#### Seal 4289

For replacement and improvement of the following systems:

**KÖMMERLING - REHAU - SCHÜCO**



#### Seal 4314

For replacement and improvement of the following systems:

**BRÜGMANN - DECEUNINCK - KBE - SCHÜCO - THERMOPLAST - VEKA**



#### Profil 4384

For replacement and improvement of the following systems:

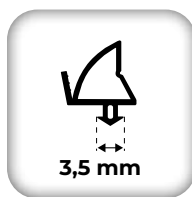
**DECEUNINCK - KBE - L.B. - SALAMANDER - VEKA**



#### Seal 4246

For replacement and improvement of the following systems:

**ALUPLAST - FINSTRAL - THYSSEN KÖMMERLING - PLUS-TEC**



#### Seal 4385

For replacement and improvement of the following systems:

**KÖMMERLING - REHAU - SCHÜCO**



**ELLEN HELPS** WITH THE INSTALLATION

# PERIMETER SEAL OR REBATE PERIMETER SEAL?



A rebate perimeter seal (also known as **surface-mounted draught** excluder) is mounted on the reveal of the frame and is clearly visible.

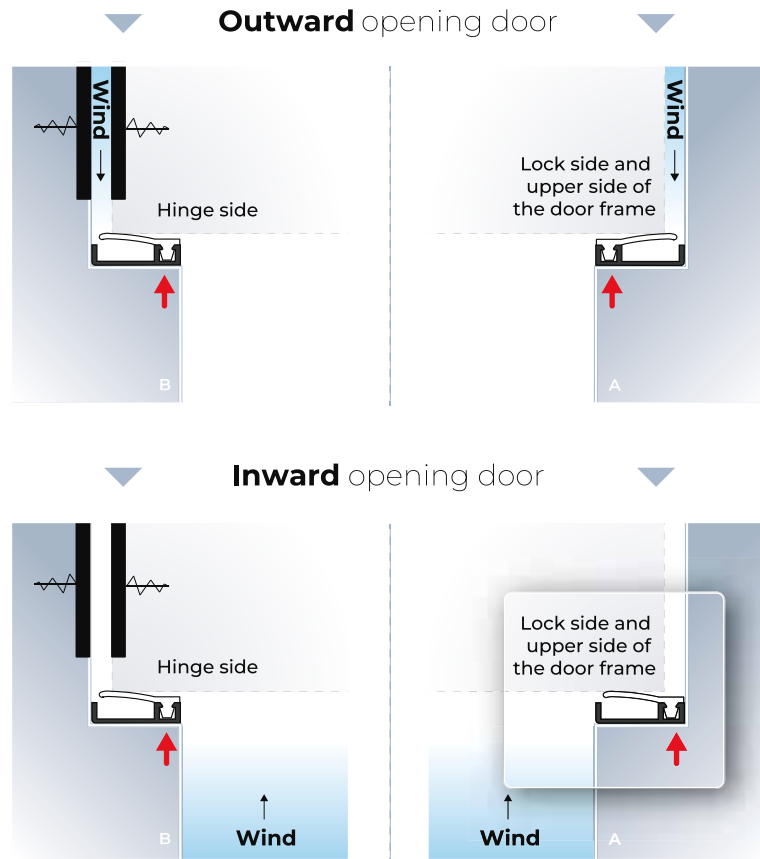
Is there no 6 mm clearance in the rebate?

Then choose a rebate perimeter seal / surface-mounted draught excluder.



A rebate perimeter seal (also known as **built-in draft** excluder) is mounted in the rebate.

You can see the side of the seal / draught excluder when the door is closed.



## CORRECT INSTALLATION OF A REBATE PERIMETER SEAL

The correct installation of a rebate perimeter seal is essential for effective draft control. It is important to determine whether you install the profile on an inward-opening door or on an outward-opening door.

It also makes a difference whether you install the rebate perimeter seal on the hinge side of an inward-opening door or on the top and lock side.

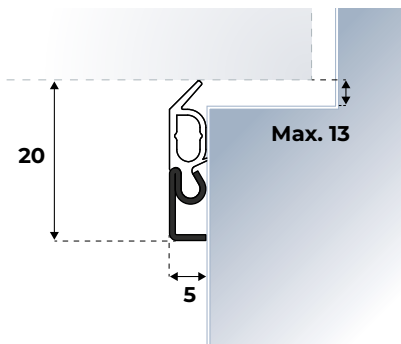
**See the drawings to determine the correct installation for rebate perimeter seals such as the AIB 3N XL and AIB 4G.**

# 2

## PERIMETER SEALS

Perimeter seals made of aluminium, wood, or plastic. For sealing gaps around wooden windows and doors.

### ALUMINIUM



#### Elro XL

**Aluminium perimeter seal for inward- and outward-opening windows and doors.** The Elro XL can seal very large gaps, up to 13 mm. The Elro XL is also available in a white painted version with a white seal, color RAL9010. Classified according to NEN EN 12365: W45153.

**Material seal:** TPE  
**Max. gap:** 13 mm  
**Customizable:** Yes

**Dimensions:** 20 x 5 mm  
**Pre-drilled:** 1,8 mm

LENGTH (CM)	COLOUR	EAN (PC.)	PACK.UNIT.	ART.NO.
230	Aluminium	8711286142248	25 lgt./tube	050200223
300	Aluminium	8711286142255	25 lgt./tube	050200230
230	White	8711286142262	25 lgt./tube	050201223
300	White	8711286142279	25 lgt./tube	050201230

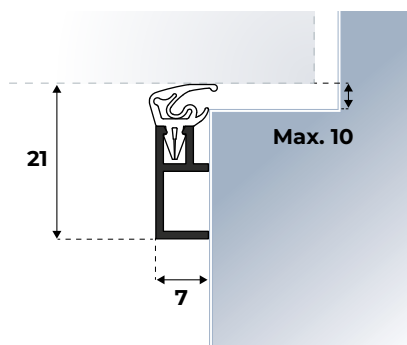
**Installation instructions:** Cut to size using a hacksaw and install in the frame using Ellen weatherstrip nails 1,6 x 25 mm (stainless steel for outdoor use and nickel-plated for indoor use, see page 70). Apply light pressure to the door or window to prevent excessive closing resistance.



## ARP+

### Anodized aluminium perimeter seal for inward- and outward-opening windows and doors.

Specifically developed for renovation purposes. The anodization prevents corrosion, making it ideal for installation on exterior doors. Classified according to NEN EN 12365: W44143.



<b>Material seal:</b>	TPE	<b>Dimensions:</b>	21 x 7 mm
<b>Max. gap:</b>	10 mm	<b>Pre-drilled:</b>	3,2 mm and sunken
<b>Customizable:</b>	Yes		

LENGTH (CM)	COLOUR	EAN (PC.)	PACK.UNIT.	ART.NO.
220	Vom1	8711286106868	25 lgt./tube	020450222
230	Vom1	8711286106844	25 lgt./tube	020450223
300	Vom1	8711286106851	25 lgt./tube	020450230

**Installation instructions:** Cut to the right length using a hacksaw and install on the frame using Ellen stainless steel screws 3 x 25 mm, see page 71. Apply light pressure to the door or window to prevent excessive closing resistance.

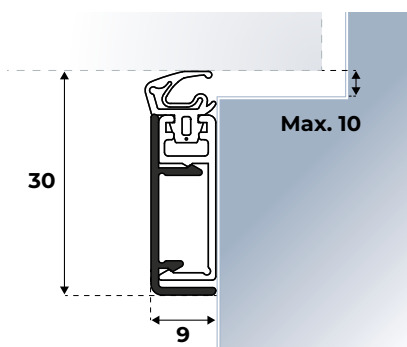


## ASP



### Beautifully anodized aluminium perimeter seal for sound and smoke-proofing interior doors.

Ideal for renovating existing entrance doors (offices, hotels, healthcare facilities). Ideal for combining with an EllenMatic Soundproof in Elegance Cassette. The ASP consists of a mounting profile and a cover cap. No visible screws or screw holes. Classified according to NEN EN 12365: W41177. Also available in a black anodized version.



<b>Material seal:</b>	Silicone	<b>Dimensions:</b>	30 x 9 mm
<b>Max. gap:</b>	10 mm	<b>Pre-drilled:</b>	Equipped with slotted holes
<b>Customizable:</b>	No		

LENGTH (CM)	COLOUR	EAN (PC.)	PACK.UNIT.	ART.NO.
2x230 + 1x115	Vom1	8711286103058	1 set/tube	010851223
2x230 + 1x115	Black	8711286103058	1 set/tube	010854223

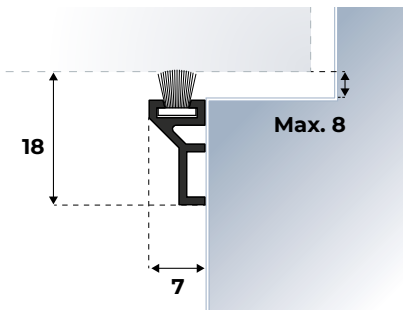
**Installation instructions:** Cut to length using a hacksaw and install on the frame using 3 x 2 mm stainless steel screws, see page 71. The holder profile has slotted holes for optimal adjustment. Apply light pressure to the door to prevent excessive closing resistance. Carefully click the cover onto the holder profile using a plastic hammer and a block.





## ATS B

**Aluminium perimeter seal with a velvet brush to prevent drafts around sliding doors and windows.** Low closing resistance thanks to the soft velvet brush.



**Material seal:** Velvet brush  
**Min-Max. gap:** 6 - 8 mm  
**Customizable:** No  
**Dimensions:** 18 x 7 mm  
**Pre-drilled:** 1,8 mm

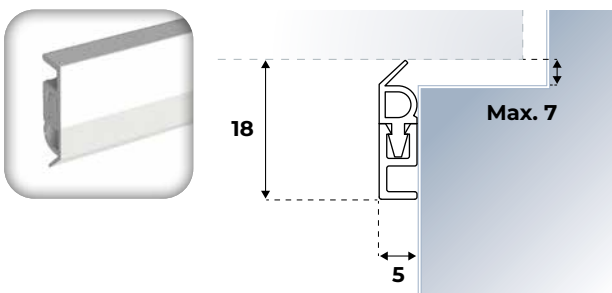
LENGTH (CM)	COLOUR	EAN (PC.)	PACK.UNIT.	ART.NO.
230	Aluminium	8711286101009	25 lgt./tube	010300023

**Installation instructions:** Cut to length using a hacksaw and install on the frame using Ellen draught excluder nails 1,6 x 25 mm, see page 70. Apply light pressure to the door or window to prevent excessive closing resistance.

## PLASTIC

### PTS

**Plastic perimeter seal in white (RAL 9010) for outward-opening windows and doors.** Classified according to NEN EN 12365: W34133.



**Material seal:** TPE  
**Dimensions:** 18 x 5 mm  
**Max. gap:** 7 mm  
**Pre-drilled:** 1,8 mm  
**Customizable:** No

LENGTH (CM)	COLOUR	EAN (PC.)	PACK.UNIT.	ART.NO.
230	White	8711286160204	25 lgt./tube	100101223

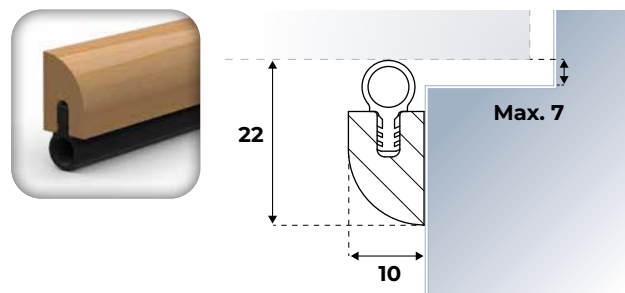
(RAL9010)

**Installation instructions:** Cut to length using a hacksaw and install on the frame using Ellen draught excluder nails 1,6 x 25 mm (stainless steel for outdoor use and nickel-plated for indoor use, see page 70).

## WOOD

### HTS

**Authentic beechwood perimeter seal with a silicone seal for inward- and outward-opening windows and doors.** Ideal for historic window frames. Paintable, and the seal can be removed during painting and easily replaced later.

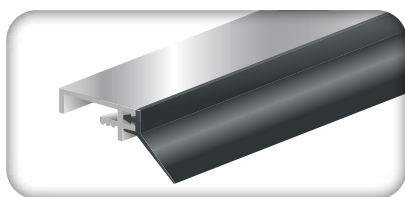


**Material seal:** Silicone  
**Dimensions:** 22 x 10 mm  
**Max. gap:** 7 mm  
**Pre-drilled:** No  
**Customizable:** No

LENGTH (CM)	COLOUR	EAN (PC.)	PACK.UNIT.	ART.NO.
230	Beech	8711286159833	10 lgt./tube	090000223

**Installation instructions:** Cut to length with a wood saw. Pre-drill and install on the frame using Ellen weatherstrip nails 1,6 x 25 mm (stainless steel for outdoor use and nickel-plated for indoor use, see page 70). Apply light pressure to the door or window to prevent excessive closing resistance. Remove the seal before painting.

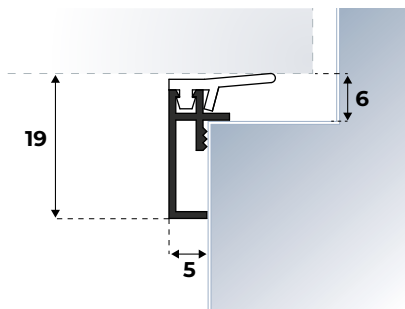
# ALUMINIUM FOR 6 MM CLEARANCE



## ANB 1N

**Aluminium perimeter seal with TPE seal for inward- and outward-opening windows and doors.** The profile is suitable for frames with a 6 mm clearance and is mounted on the frame. Can be combined with the surface-mounted profile ANB 2N. Classification according to NEN EN 12365: W34133.

**Material seal:** TPE  
**Min-Max. gap:** 6 - 9 mm  
**Customizable:** Yes  
**Dimensions:** 19 x 5 mm  
**Pre-drilled:** 3,2 mm and sunken



LENGTH (CM)	COLOUR	EAN (PC.)	PACK.UNIT.	ART.NO.
300	Aluminium	8711286241231	25 lgt./tube	300300230

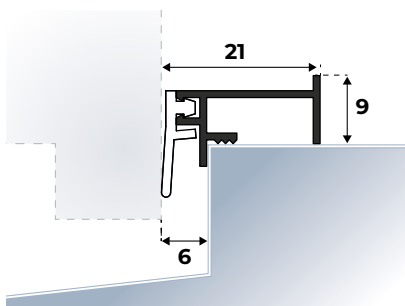
**Installation instructions:** Cut to length using a hacksaw and mount in the reveal with Ellen screws (see page 71).



## ANB 2N

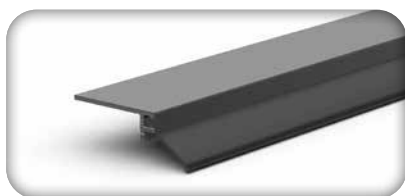
**Aluminium perimeter seal with a TPE seal for the bottom of outward-opening windows.** This profile is suitable for frames with a 6 mm clearance. Can be combined with the ANB 1N. Classified according to NEN EN 12365: W34133.

**Material seal:** TPE  
**Min-Max. gap:** 6 - 9 mm  
**Customizable:** Yes  
**Dimensions:** 21 x 9 mm  
**Pre-drilled:** 3,2 mm and sunken



LENGTH (CM)	COLOUR	EAN (PC.)	PACK.UNIT.	ART.NO.
300	Aluminium	8711286251230	18 lgt./tube	300900230

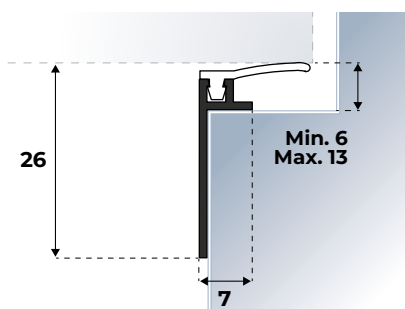
**Installation instructions:** Cut to length using a hacksaw and mount in the reveal with Ellen screws (see page 71).



## ANB 16

**Beautifully anodized perimeter seal for inward and outward-opening doors and windows.** Ideal for quick renovations of slightly damaged frame edges. Features a silicone seal for excellent gap sealing and reduced closing resistance. Notched at the ends for optimal corner sealing. Classified according to NEN EN 12365: W54177.

**Material seal:** Silicone  
**Min-Max. gap:** 6 - 13 mm  
**Customizable:** Yes  
**Dimensions:** 26 x 7 mm  
**Pre-drilled:** 2 mm



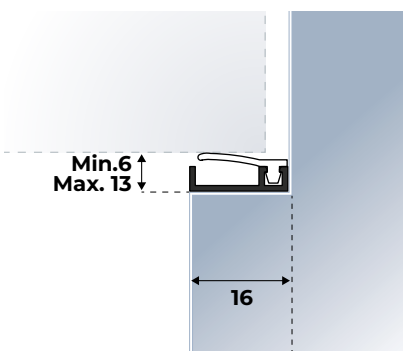
LENGTH (CM)	COLOUR	EAN (PC.)	PACK.UNIT.	ART.NO.
230	Vom1	8711286305407	25 lgt./tube	390600232

**Installation instructions:** Cut to length using a hacksaw and install in the reveal using Ellen stainless steel weatherstrip nails 1,6 x 25 mm (see page 70).

# 3

## REBATE PERIMETER SEALS

Rebate perimeter seals made of aluminium. For sealing gaps around wooden doors and windows.



### AIB 3N XL

**Aluminium rebate perimeter seal for inward- and outward-opening windows and doors with a 6 mm gap.** The AIB 3N XL can seal very large gaps, up to 13 mm. The flexible silicone seal builds up little pressure and has a long-lasting recovery capacity. Also available in black. Classified according to NEN EN 12365: W54177. C-value 0.03238 dm<sup>3</sup>/s.m<sup>2</sup>.Pa<sup>n</sup> (class 3<sup>1</sup>).

<b>Material seal:</b>	Silicone	<b>Dimensions:</b>	16 x 6 mm
<b>Min-Max. gap:</b>	6 - 13 mm	<b>Pre-drilled:</b>	2,8 mm
<b>Customizable:</b>	Yes		

LENGTH (CM)	COLOUR	EAN (PC.)	PACK.UNIT.	ART.NO.
230	Aluminium	8711286260270	25 lgt./tube	310110923
230	Black	8711286339198	25 lgt./tube	310114923
300	Aluminium	8711286260287	25 lgt./tube	310110930

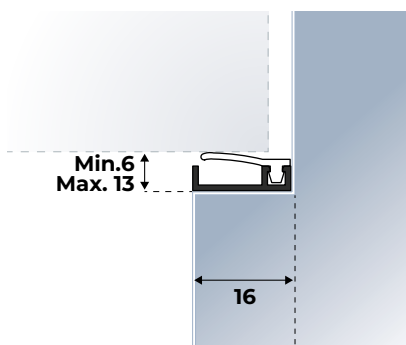
**Installation instructions:** Cut to length using a hacksaw and install in the rebate using Ellen 2,5 x 16 mm weatherstrip screws (see page 71). The AIB 3N XL can also be installed using a tacker. Ensure correct installation: see page 17 for correct installation on the hinge side or the locking side for inward- or outward-opening doors and windows.



## AIB 3N XL ZK

**Self-adhesive aluminium rebate perimeter seal for inward- and outward-opening windows and doors with a 6 mm gap.** The AIB 3N XL ZK can seal very large gaps, up to 13 mm. The flexible silicone seal builds up little pressure and has long-lasting recovery properties. Classified according to NEN EN 12365: W54177. C-value 0.03238 dm<sup>3</sup>/s.m<sup>2</sup>.Pa<sup>n</sup> (class 3<sup>1</sup>).

<b>Material seal:</b>	Silicone	<b>Dimensions:</b>	16 x 6 mm
<b>Min-Max. gap:</b>	6 - 13 mm	<b>Pre-drilled:</b>	No: self-adhesive
<b>Customizable:</b>	Yes		



LENGTH (CM)	COLOUR	EAN (PC.)	PACK.UNIT.	ART.NO.
230	Aluminium	8711286260416	25 lgt./tube	310112923
300	Aluminium	8711286260423	25 lgt./tube	310112930

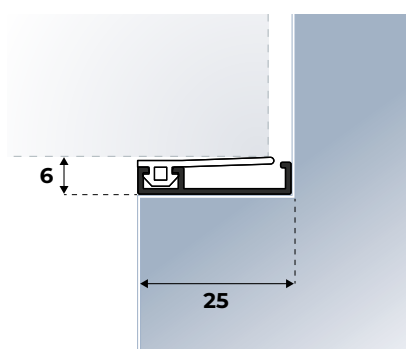
**Installation instructions:** Cut to length using a hacksaw and install in the rebate using the self-adhesive tape provided on the profile. Ensure correct installation: see page 17 for correct installation on the hinge side or the locking side for inward- or outward-opening doors and windows.



## AIB 3N 25

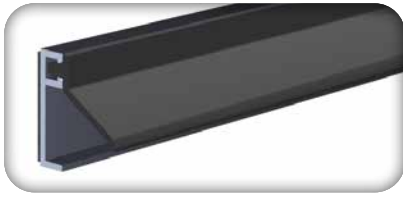
**Aluminium rebate perimeter seal for inward- and outward-opening windows and doors with a 6 mm clearance.** Classified according to NEN EN 12365: W564123.

<b>Material seal:</b>	TPE	<b>Dimensions:</b>	25 x 6 mm
<b>Min-Max. gap:</b>	6 - 10 mm	<b>Pre-drilled:</b>	2,8 mm
<b>Customizable:</b>	Yes		



LENGTH (CM)	COLOUR	EAN (PC.)	PACK.UNIT.	ART.NO.
300	Aluminium	8711286260409	25 lgt./tube	310200230

**Installation instructions:** Cut to length using a hacksaw and install in the rebate using Ellen weatherstrip nails 1,6 x 25 mm or screws 2,5 x 16 mm (see page 70). The AIB 3N 25 can also be installed using a tackler.

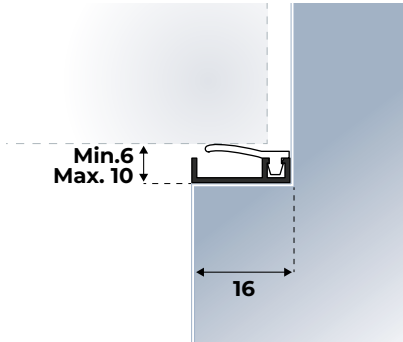


## AIB 4N

**Aluminium rebate perimeter seal for inward- and outward-opening windows and doors with a 6 mm clearance.** Also available in a self-adhesive version. Classified according to NEN EN 12365: W43133.

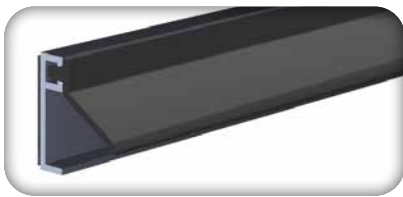
**Material seal:** TPE  
**Min-Max. gap:** 6 - 10 mm  
**Customizable:** Yes

**Dimensions:** 16 x 6 mm  
**Pre-drilled:** 2,8 mm



LENGTH (CM)	COLOUR	EAN (PC.)	PACK.UNIT.	ART.NO.
230	Aluminium	8711286262205	25 lgt./tube	310500223
300	Aluminium	8711286262236	25 lgt./tube	310500230

**Installation instructions:** Cut to length using a hacksaw and install in the rebate using Ellen weatherstrip nails 1,6 x 25 mm or screws 2,5 x 16 mm (see page 70). The AIB 4N can also be installed using a tackler.

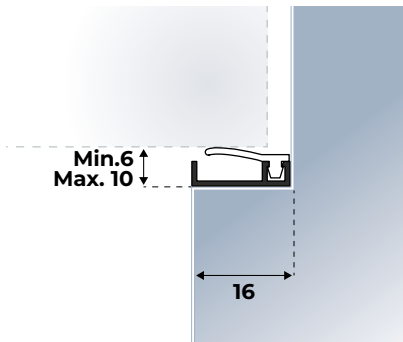


## AIB 4N ZK

**Aluminium rebate perimeter seal for inward- and outward-opening windows and doors with a 6 mm clearance.** Classified according to NEN EN 12365: W43133.

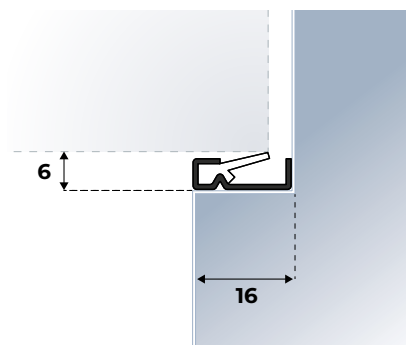
**Material seal:** TPE  
**Min-Max. gap:** 6 - 10 mm  
**Customizable:** Yes

**Dimensions:** 16 x 6 mm  
**Pre-drilled:** No: self-adhesive



LENGTH (CM)	COLOUR	EAN (PC.)	PACK.UNIT.	ART.NO.
230	Aluminium	8711286263448	25 lgt./tube	310502223
300	Aluminium	8711286263431	25 lgt./tube	310502230

**Installation instructions:** Cut to length using a hacksaw and mount in the rebate using the self-adhesive tape attached to the product.



## AIB 4G

**Aluminium rebate perimeter seal for inward- and outward-opening windows and doors with a 6 mm clearance.** Also available in white.

Classified according to NEN EN 12365: W43112.W43112.

<b>Material seal:</b>	TPE	<b>Dimensions:</b>	16 x 6 mm
<b>Min-Max. gap:</b>	6 - 9,5 mm	<b>Pre-drilled:</b>	2,8 mm
<b>Customizable:</b>	Yes		

LENGTH (CM)	COLOUR	EAN (PC.)	PACK.UNIT.	ART.NO.
220	Aluminium	8711286270442	25 lgt./tube	320100222
230	Aluminium	8711286270200	25 lgt./tube	320100223
240	Aluminium	8711286270248	25 lgt./tube	320100225
300	Aluminium	8711286270231	25 lgt./tube	320100230
230 undrilled	Aluminium	8711286273249	25 lgt./tube	320101224
240 undrilled	Aluminium	8711286273256	25 lgt./tube	320101225
300 undrilled	Aluminium	8711286273232	25 lgt./tube	320101223
230	White	8711286271207	25 lgt./tube	320201223
300	White	8711286271238	25 lgt./tube	320201230

**Installation instructions:** Cut to length using a hacksaw and install in the rebate using Ellen weatherstrip screws 2,5 x 16 mm (see page 71). The AIB 4G can also be installed using a tackler. Ensure correct installation: see page 17 for correct installation on the hinge side or the locking side for inward- or outward-opening doors and windows.



# 4

# SELF-ADHESIVE WEATHERSTRIPS

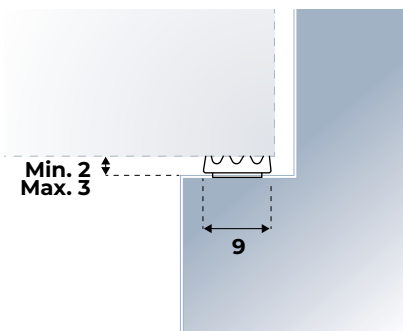
Self-adhesive weatherstrips made of EPDM, PU, or silicone for sealing gaps around windows and doors.



## Self-adhesive weatherstrip Small gap

**Flexible, foamed weatherstrip for all types of windows and doors.**  
Self-adhesive, with a strong adhesive layer. Available in white and black.

**Material:** EPDM  
**Dimensions:** 9 x 3 mm  
**Kierdichtung:** 2 - 3 mm



LENGTH (M)	COLOUR	EAN (PC.)	PACK.UNIT.	ART.NO.
7,5	White	8711286850105	8 pc./box	600101050
7,5	Black	8711286850709	8 pc./box	600104050
2 x 50	White	8711286350247	1 roll/box	600101515.1
2 x 50	Black	8711286352012	1 roll/box	600504515.1

**Installation instructions:** Cut to length using a utility knife. Thoroughly degrease the surface. Remove the protective layer from the tape and press firmly after installation. Note: on the hinge side, do not apply it along the rebate depth, but along the rebate width of the frame.

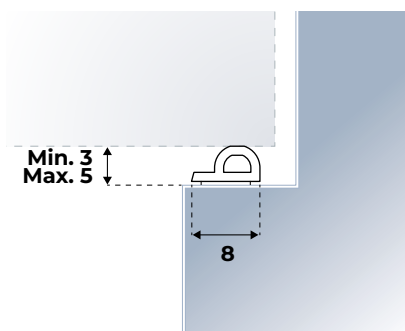


## Self-adhesive weatherstrip Medium gap

**Flexible, foamed weatherstrip for all types of windows and doors.**

Self-adhesive, with a strong adhesive layer. Available in white and black.

**Material:** EPDM  
**Dimensions:** 8 x 5 mm  
**Kierdichtung:** 3 - 5 mm



LENGTH (M)	COLOUR	EAN (PC.)	PACK.UNIT.	ART.NO.
7,5	White	8711286853304	8 pc./box	600301050
7,5	Black	8711286851607	8 pc./box	600304050
2 x 50	White	8711286352258	1 pc./box	600301515.1
2 x 50	Black	8711286354016	1 roll/box	600304515.1

**Installation instructions:** Cut to length using a utility knife. Thoroughly degrease the surface. Remove the protective layer from the tape and press firmly after installation. Note: on the hinge side, do not apply it along the rebate depth, but along the rebate width of the frame.

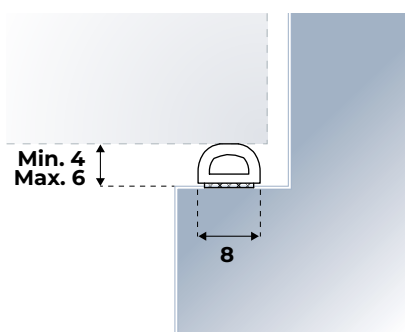


## Self-adhesive weatherstrip Large gap

**Flexible, foamed weatherstrip for all types of windows and doors.**

Self-adhesive, with a strong adhesive layer. Available in white and black.

**Material:** EPDM  
**Dimensions:** 8 x 6 mm  
**Kierdichtung:** 4 - 6 mm



LENGTH (M)	COLOUR	EAN (PC.)	PACK.UNIT.	ART.NO.
7,5	White	8711286852000	8 pc./box	600501050
7,5	Black	8711286852505	8 pc./box	600504050
2 x 50	White	8711286354412	1 roll/box	600501515.1
2 x 50	Black	8711286355464	1 roll/box	600504515.1

**Installation instructions:** Cut to length using a utility knife. Thoroughly degrease the surface. Remove the protective layer from the tape and press firmly after installation. Note: on the hinge side, do not apply it along the rebate depth, but along the rebate width of the frame.

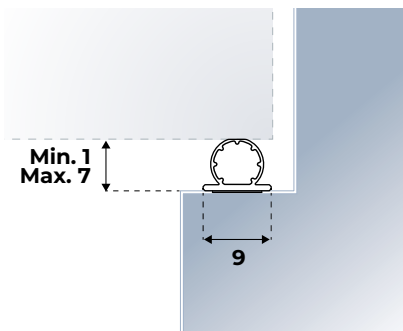


## Self-adhesive weatherstrip Universal silicone

### Flexible, silicone weatherstrip for all types of windows and doors.

Self-adhesive, with a strong adhesive layer. Durable and low closing resistance of the door. Available in white and black. Large gap coverage.

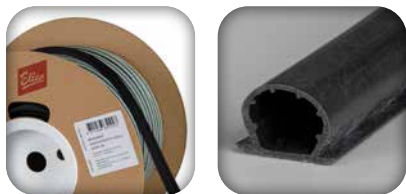
**Material:** Silicone  
**Dimensions:** 9 x 7 mm  
**Kierdichtung:** 1 - 7 mm



LENGTH (M)	COLOUR	EAN (PC.)	PACK.UNIT.	ART.NO.
6	White	8711286852802	8 pc./box	611101050
6	Black	8711286852901	8 pc./box	611104050

**Installation instructions:** Cut to length using a utility knife. Thoroughly degrease the surface. Remove the protective layer from the tape and press firmly after installation. Note: on the hinge side, do not apply it along the rebate depth, but along the rebate width of the frame.





## Self-adhesive weatherstrip Omega

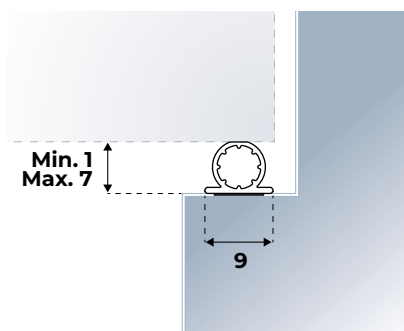
**Flexible, silicone weatherstrip for all types of windows and doors.**

Self-adhesive, with a strong adhesive layer. Durable and low closing resistance of the door. Large gap coverage.

**Material:** Silicone

**Dimensions:** 9 x 7 mm

**Kierdichtung:** 1 - 7 mm



LENGTH (M)	COLOUR	EAN (PC.)	PACK.UNIT.	ART.NO.
25	Black	8711286608089	2 roll /box	917204925

**Installation instructions:** Cut to length using a utility knife. Thoroughly degrease the surface. Remove the protective layer from the tape and press firmly after installation. Note: on the hinge side, do not apply it along the rebate depth, but along the rebate width of the frame.



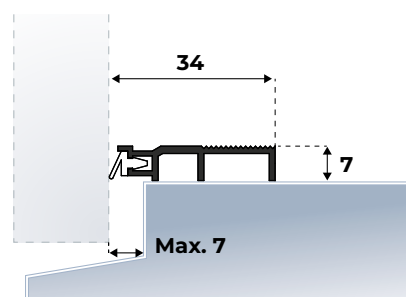
# WEAR STRIPS

Aluminium wear strips for outward opening doors. Fitted with a TPE seal. Protects the threshold against wear and seals the gap between the threshold and the bottom of the door.

## WEAR STRIPS TO BE COMBINED WITH PERIMETER SEALS

### ARP 5 / R5

**Aluminium wear strip with draught proofing seal for outward-opening doors.** Can be combined with Ellen perimeter seals. The ARP 5/R5 also protects the threshold from wear and tear. The profile is anti-slip. Classified according to NEN-EN 12365: W34143.



**Material seal:**

TPE

**Dimensions:**

34 x 7 mm

**Max. gap:**

7 mm

**Pre-drilled:**

5,8 mm and sunken

**Customizable:**

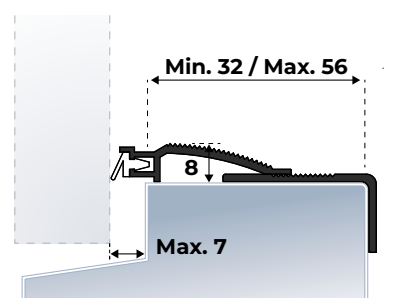
Yes

LENGTH (CM)	COLOUR	EAN (PC.)	PACK.UNIT.	ART.NO.
100	Aluminium	8711286840106	6 pc./box	020700050
300	Aluminium	8711286109234	15 lgt./tube	020700230

**Installation instructions:** Cut to length using a hacksaw and install with 4 x 40 mm screws. Even out the hole pattern! Apply light pressure to the door to prevent excessive closing resistance.

### ARP 6 / R6

**Aluminium wear strip with draught proofing seal for outward-opening doors.** Can be combined with Ellen surface-mounted profiles. The ARP 6/R6 consists of two parts and protects the entire threshold against wear. The profile is also anti-slip. Classified according to NEN-EN 12365: W34143.



**Material seal:**

TPE

**Dimensions:**

min. 32 mm  
max. 56 x 7 mm

**Max. gap:**

7 mm

**Pre-drilled:**

5,8 mm and sunken

**Customizable:**

Yes

LENGTH (CM)	COLOUR	EAN (PC.)	PACK.UNIT.	ART.NO.
100	Aluminium	8711286840205	6 pc./box	021100050

**Installation instructions:** Cut to length using a hacksaw and install with 4 x 30 mm screws (corner profile) and 4 x 40 mm screws (sealing profile). Be sure to even out the hole pattern! Install the corner profile first, then the sealing profile. Apply light pressure to the sealing profile against the door to prevent excessive closing resistance.

## WEAR STRIPS FOR 6MM CLEARANCE

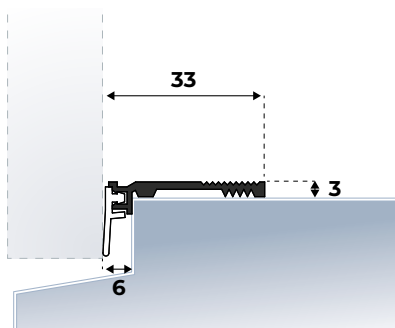


### ANB 6 / N6

#### Aluminium wear strip with draught proofing seal for outward-opening doors.

Can be combined with Ellen rebate perimeter seals. The ANB 6/N6 also protects the threshold from wear and tear. The profile is anti-slip. Classified according to NEN-EN 12365: W34133.

<b>Material seal:</b>	TPE
<b>Dimensions:</b>	33 x 3 mm
<b>Min-Max. gap:</b>	6 - 9 mm
<b>Pre-drilled:</b>	5,8 mm and sunken
<b>Customizable:</b>	Yes



LENGTH (CM)	COLOUR	EAN (PC.)	PACK.UNIT.	ART.NO.
100	Aluminium	8711286840304	6 pc./box	330500250
100	Aluminium	8711286291205	10 lgt./tube	330500210
300	Aluminium	8711286291236	15 lgt./tube	330500230
300 undrilled	Aluminium	8711286291656	15 lgt./tube	330501230

**Installation instructions:** Cut to length using a hacksaw and fasten with 4 x 30 mm screws. Even out the hole pattern!

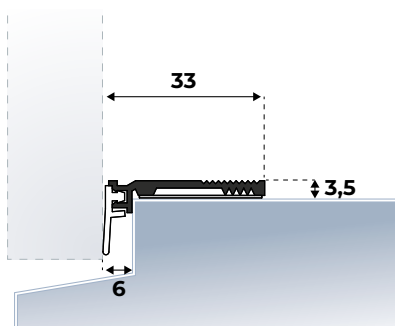


### ANB 6 ZK

#### Self-adhesive aluminium wear strip with draught proofing seal for outward-opening doors.

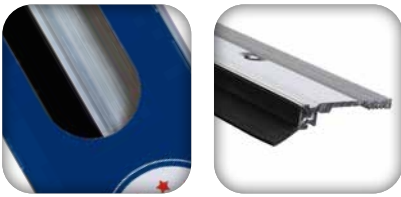
Can be combined with Ellen rebate perimeter seals. The ANB 6 ZK also protects the threshold from wear. The profile is anti-slip and features self-adhesive tape for quick installation. Classified according to NEN-EN 12365: W34133.

<b>Material seal:</b>	TPE
<b>Dimensions:</b>	33 x 3 mm
<b>Min-Max. gap:</b>	6 - 9 mm
<b>Pre-drilled:</b>	No
<b>Customizable:</b>	Yes



LENGTH (CM)	COLOUR	EAN (PC.)	PACK.UNIT.	ART.NO.
300	Aluminium	8711286291663	15 lgt./tube	330502230

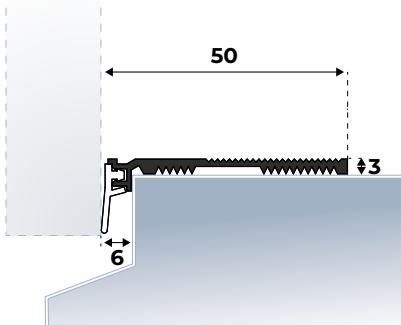
**Installation instructions:** Cut to length using a hacksaw. Thoroughly degrease the surface before attaching the product with double-sided tape.



## ANB 7 / N7

### Aluminium wear strip with draught proofing seal for outward-opening doors.

Can be combined with Ellen rebate perimeter seals. The ANB 7/N7 also protects the threshold from wear and tear. The profile is anti-slip. Classified according to NEN-EN 12365: W34133.



<b>Material seal:</b>	TPE
<b>Dimensions:</b>	50 x 3 mm
<b>Min-Max. gap:</b>	6 - 9 mm
<b>Pre-drilled:</b>	5,8 mm and sunken
<b>Customizable:</b>	Yes

LENGTH (CM)	COLOUR	EAN (PC.)	PACK.UNIT.	ART.NO.
100	Aluminium	8711286840502	6 pc./box	330900250
100	Aluminium	8711286294206	10 lgt./tube	330900210
300	Aluminium	8711286294237	10 lgt./tube	330900230
300 undrilled	Aluminium	8711286294640	10 lgt./tube	330901230

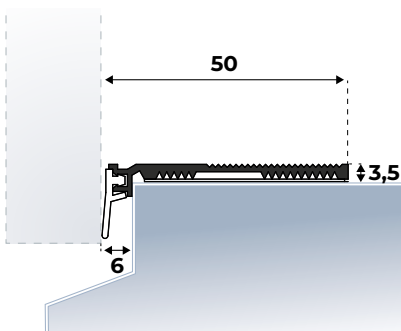
**Installation instructions:** Cut to length using a hacksaw and fasten with 4 x 30 mm screws. Even out the hole pattern!



## ANB 7 ZK

### Self-adhesive aluminium wear strip with draught proofing seal for outward-opening doors.

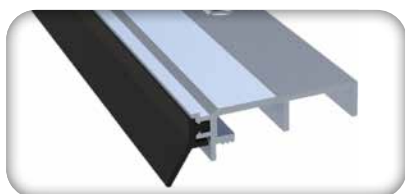
Can be combined with Ellen rebate perimeter seals. The ANB 7 ZK also protects the threshold from wear. The profile is anti-slip and features self-adhesive tape for quick installation. Classified according to NEN-EN 12365: W34133.



<b>Material seal:</b>	TPE
<b>Dimensions:</b>	50 x 3 mm
<b>Min-Max. gap:</b>	6 - 9 mm
<b>Pre-drilled:</b>	No
<b>Customizable:</b>	Yes

LENGTH (CM)	COLOUR	EAN (PC.)	PACK.UNIT.	ART.NO.
300	Aluminium	8711286294817	10 lgt./tube	330902230

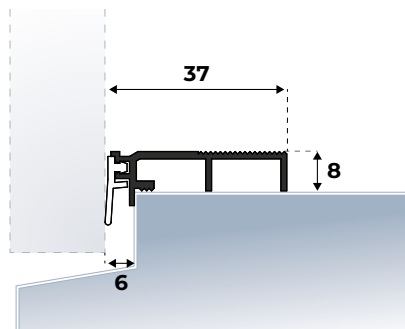
**Installation instructions:** Cut to length using a hacksaw. Thoroughly degrease the surface before attaching the product with double-sided tape.



## ANB 6N

### Raised aluminium wear strip with draught proofing seal for outward-opening doors.

Can be combined with Ellen rebate perimeter seals. The ANB 6N also protects the threshold from wear. Classified according to NEN-EN 12365: W34133.



<b>Material seal:</b>	TPE
<b>Dimensions:</b>	37 x 8 mm
<b>Min-Max. gap:</b>	6 - 9 mm
<b>Pre-drilled:</b>	5,8 mm and sunken
<b>Customizable:</b>	Yes

LENGTH (CM)	COLOUR	EAN (PC.)	PACK.UNIT.	ART.NO.
100	Aluminium	8711286293254	10 lgt./tube	330700210
300	Aluminium	8711286293339	10 lgt./tube	330700230

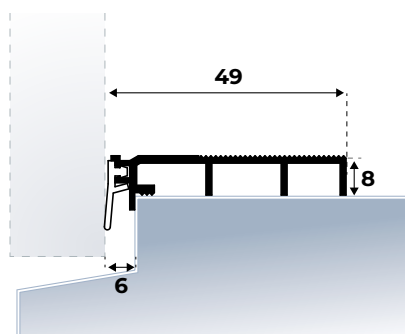
**Installation instructions:** Cut to length using a hacksaw and fasten with 4 x 30 mm screws. Even out the hole pattern!



## ANB 7N

### Raised aluminium wear strip with draught proofing seal for outward-opening doors.

Can be combined with Ellen rebate perimeter seals. The ANB 7N also protects the threshold from wear. Classified according to NEN-EN 12365: W34133.



<b>Material seal:</b>	TPE
<b>Dimensions:</b>	49 x 8 mm
<b>Min-Max. gap:</b>	6 - 9 mm
<b>Pre-drilled:</b>	5,8 mm and sunken
<b>Customizable:</b>	Yes

LENGTH (CM)	COLOUR	EAN (PC.)	PACK.UNIT.	ART.NO.
100	Aluminium	8711286296262	7 lgt./tube	331100210
300	Aluminium	8711286296231	7 lgt./tube	331100230

**Installation instructions:** Cut to length using a hacksaw and fasten with 4 x 30 mm screws. Even out the hole pattern!

# 6

# DOOR BOTTOM SEALS

Draught excluders for installation at the bottom of interior and exterior doors.

## PDS (BASIC)

Hard plastic door bottom seal for inward-opening doors.

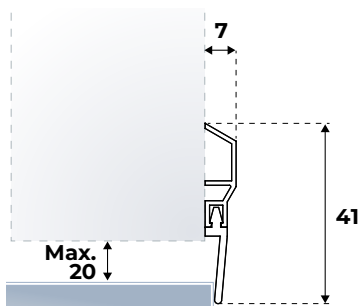


**Material seal:**  
TPE

**Dimensions:**  
41 x 7 mm

**Max. gap:**  
20 mm

**Pre-drilled:**  
2,8 mm and sunken



LENGTH (CM)	COLOUR	EAN (PC.)	PACK.UNIT.	ART.NO.
100	White	8711286860906	6 pc./box	110101250
100	Brown	8711286861101	6 pc./box	110102250

**Installation instructions:** Cut to length using a hacksaw and install with the included screws. Assure to even out the hole pattern!

## ADS (CLASSIC)

Anodized aluminium door bottom seal for inward-opening doors or interior doors with a dust sill.

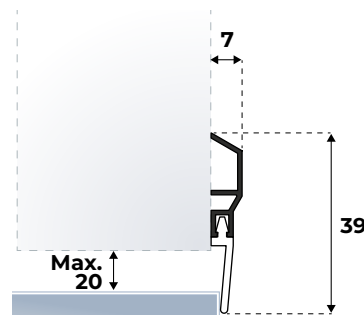


**Material seal:**  
TPE

**Dimensions:**  
39 x 7 mm

**Max. gap:**  
20 mm

**Pre-drilled:**  
3,2 mm and sunken



LENGTH (CM)	COLOUR	EAN (PC.)	PACK.UNIT.	ART.NO.
100	VOM1	8711286860104	6 pc./box	030100250
100	Aluminium	8711286110216	15 lgt./tube	030100210
300	Aluminium	8711286110438	15 lgt./tube	030100230

**Installation instructions:** Cut to length using a hacksaw and mount with 3 x 25 mm screws. Note the spacing of the hole pattern! The packaged version includes screws.

## INOX

### Stainless steel door bottom seal with seal for inward-opening doors or interior doors with a dust sill.

The Inox consists of a plastic retaining profile and an attractive stainless steel cover cap. Black end caps provide a beautiful finish on the side of the profile.


**Material seal:**

TPE

**Dimensions:**

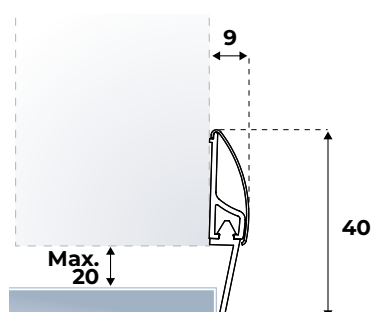
40 x 9 mm

**Max. gap:**

20 mm

**Pre-drilled:**

Yes: holder profile



LENGTH (CM)	COLOUR	EAN (PC.)	PACK.UNIT.	ART.NO.
100	St. steel	8711286861507	6 pc./box	030200250

**Installation instructions:** Cut to length using a hacksaw and install the holder profile using the supplied screws. Ensure the hole pattern is evenly spaced for optimal attachment! Click the cover profile onto the holder profile and finish the sides with the end caps.



## PDS 3B (Deco)

### Plastic door bottom seal with a soft velvet brush for interior doors.

Available in white, black, and brown.

**Material seal:**

Velvet brush

**Dimensions:**

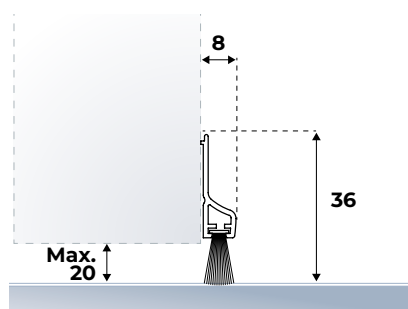
36 x 8 mm

**Max. gap:**

15 mm

**Pre-drilled:**

3,0 mm



LENGTH (CM)	COLOUR	EAN (PC.)	PACK.UNIT.	ART.NO.
100	White	8711286861200	6 pc./box	110501050
100	Brown	8711286861408	6 pc./box	110502050
100	Black	8711286339211	6 pc./box	110504050

**Installation instructions:** Cut to length using a hacksaw and install with the included screws. Make sure to even out the holes!

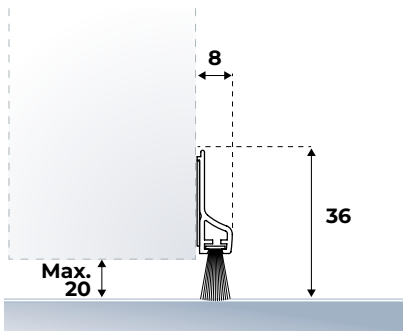


## PDS 3B ZK (Comfort)

**Plastic door bottom seal with a soft velvet brush for interior doors.**

Self-adhesive. Available in white, transparent, black, and brown.

**Material seal:** Velvet brush      **Dimensions:** 36 x 8 mm  
**Max. gap:** 15 mm      **Pre-drilled:** No



LENGTH (CM)	COLOUR	EAN (PC.)	PACK.UNIT.	ART.NO.
100	White	8711286861804	6 pc./box	110601050
100	Transparent	8711286861705	6 pc./box	110600050
100	Brown	8711286861903	6 pc./box	110602050
100	Black	8711286861927	6 pc./box	110604050

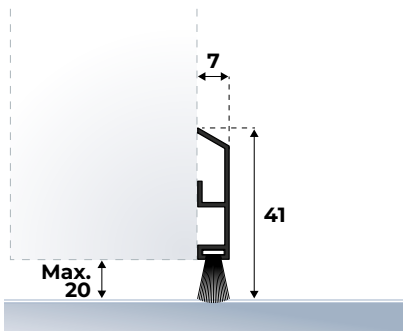
**Installation instructions:** Cut to length using a hacksaw. Thoroughly degrease the surface. Remove the protective layer and press the profile firmly after installation.



## ADS B (ROBUST)

**Anodized aluminium door bottom seal with a velvet brush for interior doors.** A large gap of 20 mm can be covered thanks to the center support.

**Material seal:** Velvet brush      **Dimensions:** 41 x 7 mm  
**Max. gap:** 20 mm      **Pre-drilled:** 3,2 mm and sunken



LENGTH (CM)	COLOUR	EAN (PC.)	PACK.UNIT.	ART.NO.
100	VOM1	8711286860203	6 pc./box	030550050
300	VOM1	8711286114238	10 lgt./tube	030550030

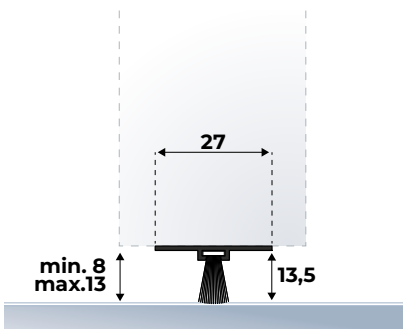
**Installation instructions:** Cut to length using a hacksaw and install with 3 x 25 mm screws. Make sure to even out the holes! The packaged version includes screws.



## DBS (INVISIBLE)

**Aluminium door bottom seal with velvet brush for mounting on the bottom of interior doors.**

**Material seal:** Velvet brush      **Dimensions:** 27 x 13,5 mm  
**Max. gap:** 13,5 mm      **Pre-drilled:** 2,8 mm



LENGTH (CM)	COLOUR	EAN (PC.)	PACK.UNIT.	ART.NO.
100	Aluminium	8711286861606	6 pc./box	030700050
300	Aluminium	8711286116232	10 lgt./tube	030700030

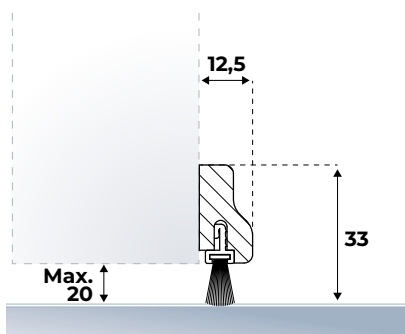
**Installation instructions:** Cut to length using a hacksaw and install with screws. Make sure to even out the holes! The packaged version includes screws.



## HDS B (AUTHENTIC WOOD)

**Authentic beechwood door bottom seal with a soft PP brush for interior doors.** Can be painted.

**Material seal:** Velvet brush (soft PP)      **Dimensions:** 33 x 12,5 mm  
**Max. gap:** 17 mm      **Pre-drilled:** 2,8 mm and sunken



LENGTH (CM)	COLOUR	EAN (PC.)	PACK.UNIT.	ART.NO.
100	Beuken	8711286860807	6 pc./box	090200050

**Installation instructions:** Cut to length using a wood saw and assemble with the included screws. Make sure to even out the holes!

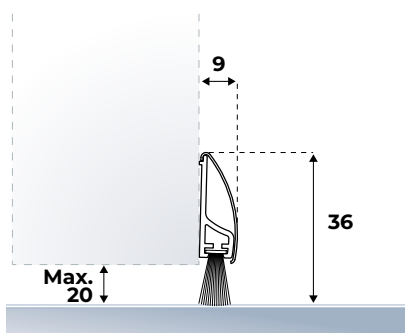


## INOX DE LUXE

**Stainless steel door bottom seal with a velvet brush for interior doors.**

The Inox de Luxe consists of a plastic mounting profile and a stainless steel cover cap. Black end caps provide a beautiful finish to the sides of the profile.

**Material seal:** Velvet brush      **Dimensions:** 36 x 9 mm  
**Max. gap:** 20 mm      **Pre-drilled:** Holder profile



LENGTH (CM)	COLOUR	EAN (PC.)	PACK.UNIT.	ART.NO.
100	St. steel	8711286860302	6 pc./box	030600050

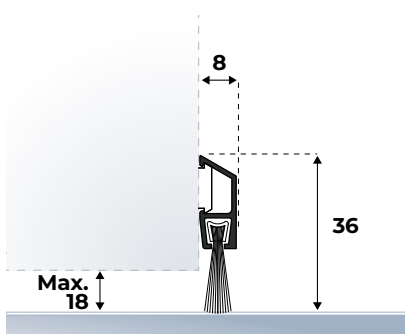
**Installation instructions:** Cut to length using a hacksaw and mount the bracket profile using the supplied screws. Ensure to even out the hole pattern for optimal attachment! Attach the cover profile and finish the sides with the cover caps.



## IDS B (DE LUXE)

**Aluminium door bottom seal with brush for mounting on the bottom of interior doors.** The mounting profile clicks into place using screw-on clickers. End caps for a beautiful finish on the sides are included.

**Material seal:** Hard PP      **Dimensions:** 36 x 8 mm  
**Max. gap:** 18 mm      **Pre-drilled:** No: clickers



LENGTH (CM)	COLOUR	EAN (PC.)	PACK.UNIT.	ART.NO.
100	Silver	8711286860418	6 pc./box	041950050

**Installation instructions:** Cut to length using a hacksaw. Determine the position of the profile by holding it in front of the door. Mark the center of the profile at both ends and connect it with a line. Even out the click blocks along the line and secure with the supplied screws. Place the cover cap on the click blocks and attach the end caps.



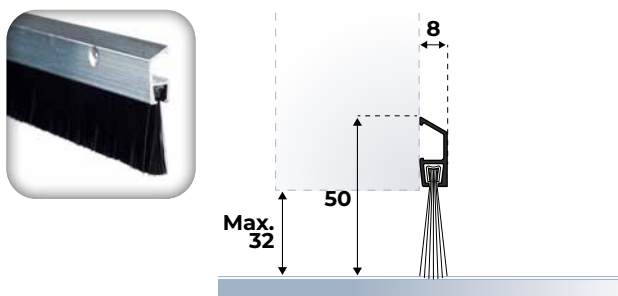
# 7 INDUSTRIAL (BRUSH) SEALS

Draught excluders for installation at the bottom of garage doors and sliding doors to prevent drafts.

## INDUSTRIAL BRUSH SEALS

### IBS

Aluminium profile with a hard PP brush for the bottom of garage doors and sliding doors.



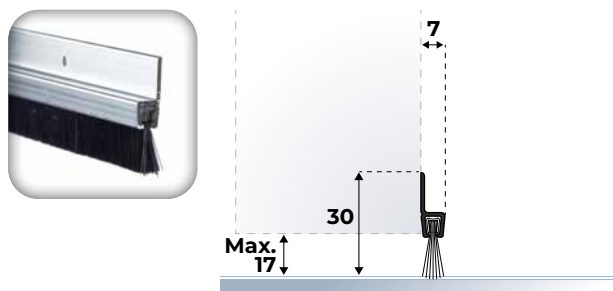
**Brush type:** Hard PP  
**Dimensions:** 50 x 8 mm  
**Pre-drilled:** 3,2 mm and sunken  
**Max. gap:** 32 mm

LENGTH (cm)	EAN (PC.)	PACK.UNIT.	ART.NO.
220	8711286120222	10 lgt./tube	040100022
300	8711286120239	10 lgt./tube	040100030

**Installation instructions:** Cut to length using a hacksaw and mount with 3 x 25 mm screws. Make sure to even out the holes.

### IBS 31

Aluminium profile with a hard PP brush for the bottom of garage doors and sliding doors for sealing gaps up to 17 mm. 18 mm aluminium profile, 12 mm brush.



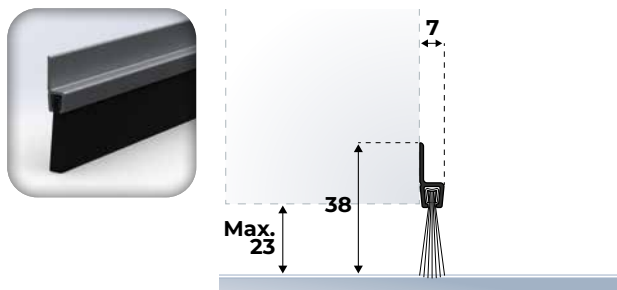
**Brush type:** Hard PP  
**Dimensions:** 30 x 7 mm  
**Pre-drilled:** 2,8 mm  
**Max. gap:** 17 mm

LENGTH (cm)	EAN (PC.)	PACK.UNIT.	ART.NO.
100	8711286122011	10 lgt./tube	040300010
250	8711286122257	10 lgt./tube	040300025
300	8711286122233	10 lgt./tube	040300030

**Installation instructions:** Cut to length using a hacksaw and mount with screws. Make sure to even out the holes.

## IBS 39

Aluminium profile with a hard PP brush for the bottom of garage doors and sliding doors for sealing gaps up to 38 mm. 18 mm aluminium profile, 20 mm brush.



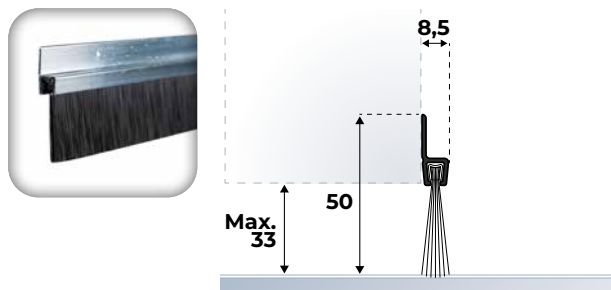
**Brush type:** Hard PP  
**Dimensions:** 38 x 7 mm  
**Pre-drilled:** 2,8 mm  
**Max. gap:** 23 mm

LENGTH (cm)	EAN (PC.)	PACK.UNIT.	ART.NO.
100	8711286123018	10 lgt./tube	040500010
250	8711286123353	10 lgt./tube	040500025
300	8711286123230	10 lgt./tube	040500030

**Installation instructions:** Cut to length using a hacksaw and mount with screws. Make sure to even out the holes.

## IBS 50

Aluminium profile with a hard PP brush for the bottom of garage doors and sliding doors for sealing gaps up to 33 mm. 20 mm aluminium profile, 30 mm brush.



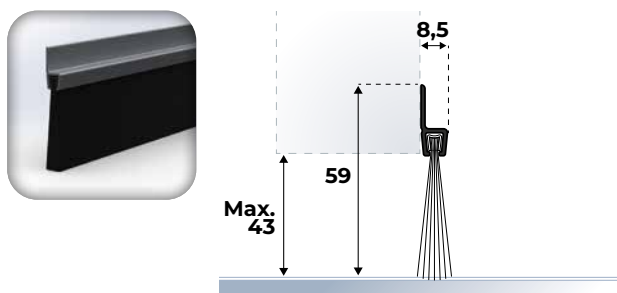
**Brush type:** Hard PP  
**Dimensions:** 50 x 8,5 mm  
**Pre-drilled:** 2,8 mm  
**Max. gap:** 33 mm

LENGTH (cm)	EAN (PC.)	PACK.UNIT.	ART.NO.
100	8711286121014	10 lgt./tube	040700010
250	8711286121250	10 lgt./tube	040700025
300	8711286121236	10 lgt./tube	040700030

**Installation instructions:** Cut to length using a hacksaw and mount with screws. Make sure to even out the holes.

## IBS 60

Aluminium profile with a hard PP brush for the bottom of garage doors and sliding doors for sealing gaps up to 43 mm. 20 mm aluminium profile, 39 mm brush.



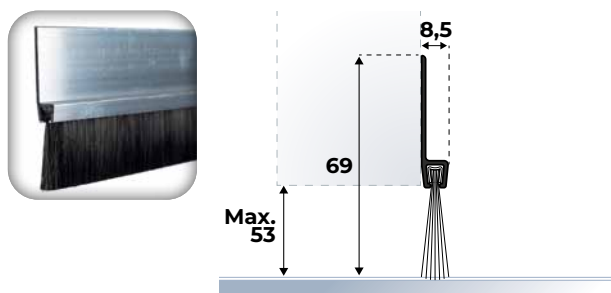
**Brush type:** Hard PP  
**Dimensions:** 59 x 8,5 mm  
**Pre-drilled:** 2,8 mm  
**Max. gap:** 43 mm

LENGTH (cm)	EAN (PC.)	PACK.UNIT.	ART.NO.
100	8711286124015	10 lgt./tube	040900010
250	8711286124251	10 lgt./tube	040900025
300	8711286124237	10 lgt./tube	040900030

**Installation instructions:** Cut to length using a hacksaw and mount with screws. Make sure to even out the holes.

## IBS 70

Aluminium profile with a hard PP brush for the bottom of garage doors and sliding doors for sealing gaps up to 53 mm. 40 mm aluminium profile, 29 mm brush.



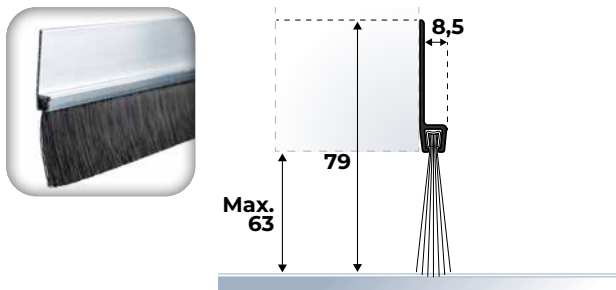
**Brush type:** Hard PP  
**Dimensions:** 69 x 8,5 mm  
**Pre-drilled:** No  
**Max. gap:** 53 mm

LENGTH (cm)	EAN (PC.)	PACK.UNIT.	ART.NO.
100	8711286125012	10 lgt./tube	041200010
250	8711286125258	10 lgt./tube	041200025
300	8711286125234	10 lgt./tube	041200030

**Installation instructions:** Cut to length using a hacksaw and mount with screws. Make sure to even out the holes.

## IBS 80

Aluminium profile with a hard PP brush for the bottom of garage doors and sliding doors for sealing gaps up to 63 mm. 40 mm aluminium profile, 39 mm brush.



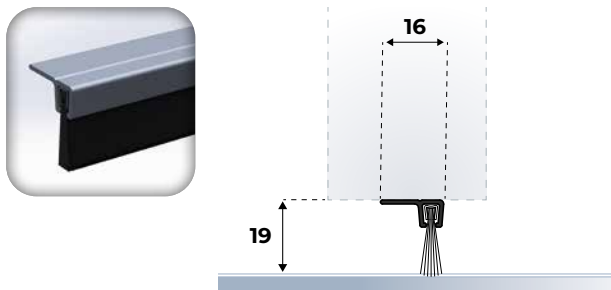
**Brush type:** Hard PP  
**Dimensions:** 79 x 8,5 mm  
**Pre-drilled:** No  
**Max. gap:** 63 mm

LENGTH (cm)	EAN (PC.)	PACK.UNIT.	ART.NO.
100	8711286126019	10 lgt./tube	041400010
250	8711286126256	10 lgt./tube	041400025
300	8711286126231	10 lgt./tube	041400030

**Installation instructions:** Cut to length using a hacksaw. Determine the hole pattern and pre-drill with an iron drill. Assemble with screws.

## IBS 90 18

Aluminium profile with a hard PP brush for the bottom of garage doors and sliding doors for sealing gaps up to 19 mm. Suitable for garage doors and industrial doors.



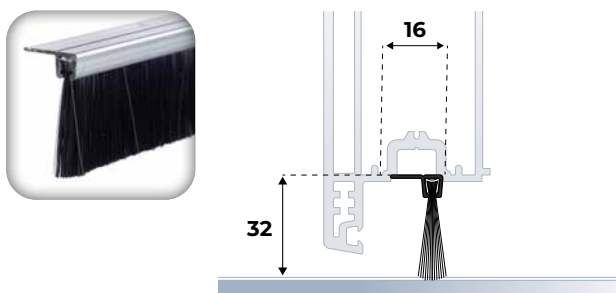
**Brush type:** Hard PP  
**Dimensions:** 19 x 16 mm  
**Pre-drilled:** 2,8 mm  
**Max. gap:** 19 mm

LENGTH (cm)	EAN (PC.)	PACK.UNIT.	ART.NO.
100	8711286127016	10 lgt./tube	041500010
300	8711286127238	10 lgt./tube	041500030

**Installation instructions:** Cut to length using a hacksaw and mount with screws. Make sure to even out the holes.

## IBS 90 32

Aluminium profile with a hard PP brush for the bottom of garage doors and sliding doors for sealing gaps up to 32 mm. Suitable for garage and industrial doors. The IBS 90 32 fits into a Euro groove detailing.



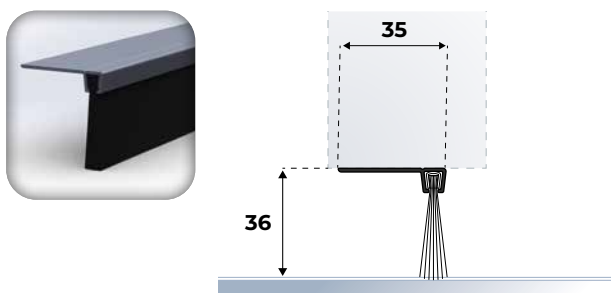
**Brush type:** Hard PP  
**Dimensions:** 32 x 16 mm  
**Pre-drilled:** 2,8 mm  
**Max. gap:** 32 mm

LENGTH (cm)	EAN (PC.)	PACK.UNIT.	ART.NO.
100	8711286127412	10 lgt./tube	041600010
300	8711286127436	10 lgt./tube	041600030

**Installation instructions:** Cut to length using a hacksaw and mount with screws. Make sure to even out the holes.

## IBS 90 36

Aluminium profile with a hard PP brush for the bottom of garage doors and sliding doors for sealing gaps up to 32 mm. Suitable for garage doors and industrial doors.



**Brush type:** Hard PP  
**Dimensions:** 35 x 36 mm  
**Pre-drilled:** 2,8 mm  
**Max. gap:** 36 mm

LENGTH (cm)	EAN (PC.)	PACK.UNIT.	ART.NO.
100	8711286128013	10 lgt./tube	041700010
300	8711286128235	10 lgt./tube	041700030

**Installation instructions:** Cut to length using a hacksaw and mount with screws. Make sure to even out the holes.

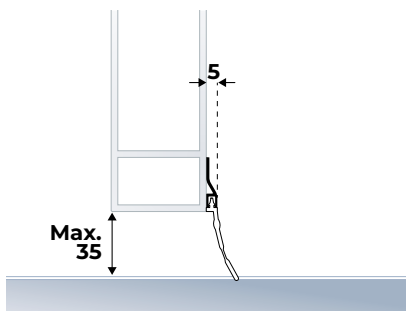
# GARAGE- AND INDUSTRIAL DOORS



## ADS GL

**Aluminium profile with a large seal for the bottom of garage doors and sliding doors for sealing gaps up to 35 mm. 23 mm aluminium profile, 33 mm seal.**

**Material seal:** PVC  
**Dimensions:** 56 x 5 mm  
**Max. gap:** 35 mm  
**Pre-drilled:** Yes: 2,8 mm



LENGTH (cm)	EAN (PC.)	PACK.UNIT	ART.NO.
100	8711286111206	10 lgt./tube	030300610
250	8711286110254	10 lgt./tube	030300625
300	8711286111220	10 lgt./tube	030300630

**Installation instructions:** Cut to length using a hacksaw and mount with screws. Make sure to even out the holes.

## ELLENMATIC DROP SEALS

# QUALITY AND INNOVATION FOR EVERY DOOR!

Meet the new generation of EllenMatic drop seals: the standard in durability, functionality, and performance. Whether it's sound insulation, smoke and fire protection, or long-term reliability, EllenMatic guarantees top quality. Our drop seals have been extensively tested and certified to the strictest European standards, with a standard test of no less than 1 million opening and closing cycles.

### What makes EllenMatic unique?

- **Single-sided operation** on the hinge side for easy use.
- **Smart design** with a activation button that allows installation without a bumper plate.
- **Wide operating range**, thanks to a maximum stroke of 20 mm.
- **Perpendicular movement** of the internal mechanism without lateral movement, ideal for precision sealing.
- **Automatic adjustment** for uneven floors and a suspension clearance of 1 - 2 mm.
- **No-Break function**: the internal mechanism automatically returns to obstacles such as cables, for optimal safety and a long lifespan.
- **5-year warranty**, ensuring a long-term reliable solution.





WHY PROFESSIONALS TRUST ELLENMATIC?

## FOR THE BEST SEALING AND PROTECTION

Choose the new generation of EllenMatic drop seals and experience the difference of an innovative product that meets all requirements – and more!

The **new generation** of EllenMatic drop seals include:

- Soundproof
- Soundproof Omega
- Uni-Proof
- Brush
- Optimal seal
- Slim Soundproof
- Ferro 2
- Ferro-S 2

# ELLENMATIC DROP SEALS

## Practical information

EllenMatic	Groove size (br x d in mm)	Min. - max gap (in mm)	Suspension	Draught proofing	Smoke proofing	Sound proofing	Fire retarding
2K	n.a.	3 - 10	Suspension plates/ housing	✓	-	-	-
2K Euro	Eurogroef	3 - 10	Suspension plates/ housing	✓	-	-	-
Extra	10 x 20-25	3 - 15	Suspension plates	✓	-	-	-
Omega	11 x 25	4 - 10	Suspension plates/ housing	✓	-	-	-
Slim Soundproof	10 x 30	3 - 18	Suspension plates	✓	Sa	50dB	-
Slim Soundproof + adapter set	13,5 x 40-47	3 - 18	Suspension plates	✓	-	-	-
Soundproof	15 x 30	3 - 20	Suspension plates	✓	Sa + S200	51dB	T30, T60, T90
Uni-Proof	15 x 30	3 - 20	Suspension plates	✓	-	-	-
Brush	15 x 30	3 - 20	Suspension plates	✓	-	-	-
Optimal seal	15 x 30	8,5 - 28	Suspension plates	✓	-	-	-
Ferro 2	n.a.	2 - 18	Suspension plates/ housing	✓	Sa	40dB	-
Ferro-S 2	n.a.	2 - 18	Suspension plates	✓	Sa	40dB	-

### Shortability

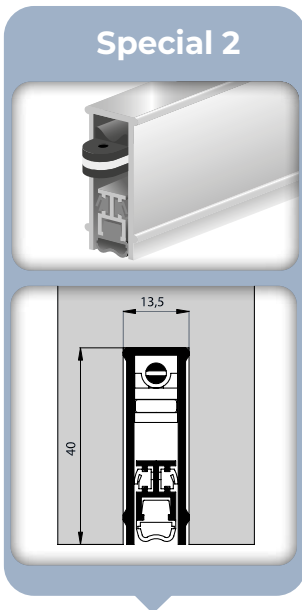
The standard lengths of the EllenMatic Soundproof, Uni-Proof, Brush, Optimal Seal, Slim Soundproof, Ferro 2, Ferro-S 2 can be shortened by up to 150 mm.

Custom lengths can also be shortened:

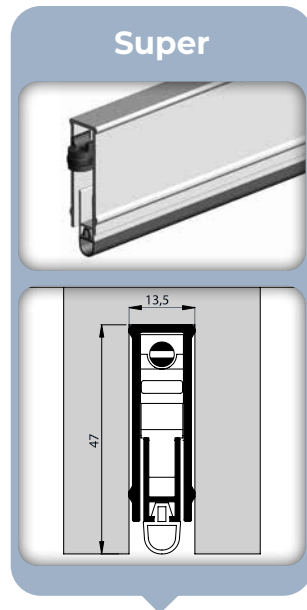
FROM:	TO:	CAN BE SHORTENED TO:
<b>300 mm</b>	480 mm	301 mm
<b>481 mm</b>	730 mm	481 mm
<b>731 mm</b>	930 mm	661 mm
<b>931 mm</b>	1030 mm	841 mm
<b>1031 mm</b>	1230 mm	1021 mm
<b>1231 mm</b>	1380 mm	1201 mm
<b>1381 mm</b>	1600 mm	1381 mm

## Do you have an old EllenMatic drop seal and aren't sure which new one is suitable as a replacement?

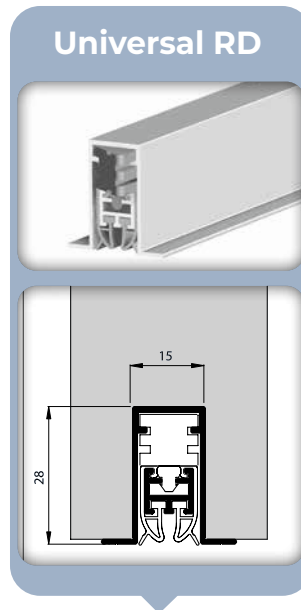
Then consult the chart below:



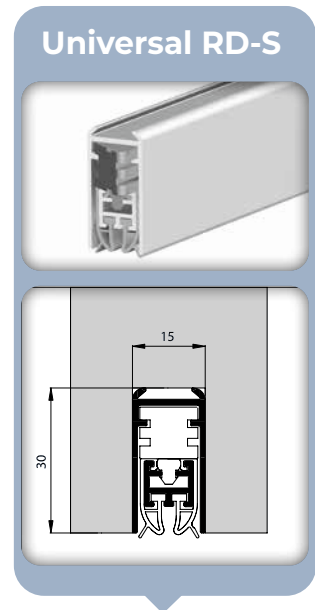
**REPLACEMENT:**  
Slim Soundproof  
+ adapter set



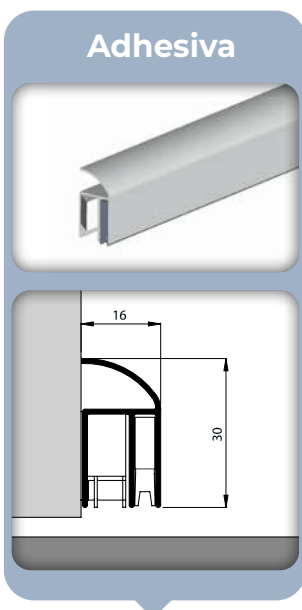
**REPLACEMENT:**  
Slim Soundproof +  
adapter set



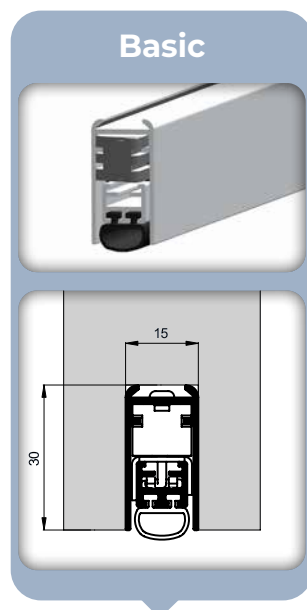
**REPLACEMENT:**  
Soundproof OM



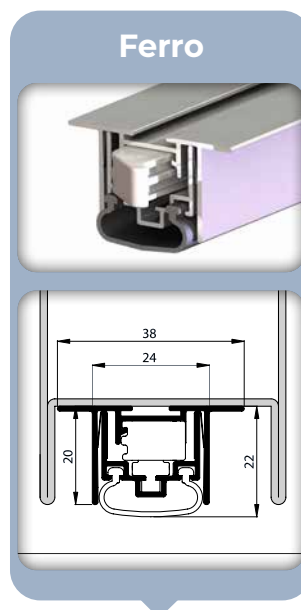
**REPLACEMENT:**  
Soundproof



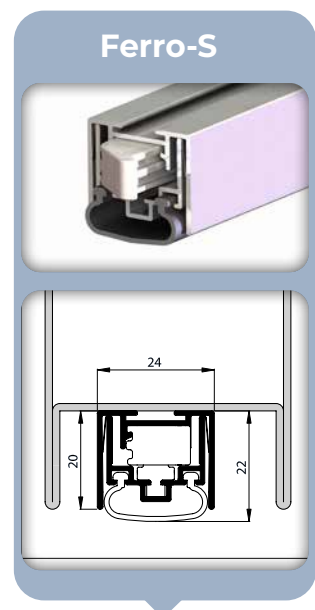
**REPLACEMENT:**  
Soundproof  
in Elegance Casette



**REPLACEMENT:**  
Uni-Proof



**REPLACEMENT:**  
Ferro-2



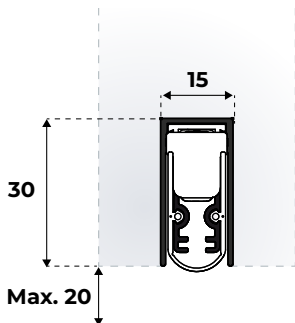
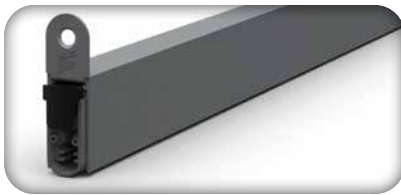
**REPLACEMENT:**  
Ferro-S 2

# 8

# DROP SEALS AND ACCESSORIES

Automatic drop seals for installation at the bottom of the door or in a surface-mounted cassette to create a barrier-free passage and to prevent drafts. Some drop seals are also sound, smoke, and fire resistant.

## DROP SEALS FOR WOODEN DOORS



### FEATURES:

Sound insulation: 51 dB\*  
 Fire resistance: 30 and 60 minutes\*  
 Smoke resistance: cold (Sa) and hot smoke (S200)\*

\* Values achieved with a maximum of 6 mm of space under the door.

### EllenMatic Soundproof



**Drop seal suitable for wooden interior and exterior doors in a sheltered environment.** For draught, sound, smoke and fire proofing. Can be adapted for combination with an espagnolette. Attaches using mounting plates on both sides of the door. Can also be used as a surface-mounted drop seal when combined with the Elegance Cassette.

<b>Material seal:</b>	Silicone	<b>Dimensions:</b>	15 x 30 mm
<b>Groove size:</b>	15 x 30 mm	<b>Min. length:</b>	300 mm
<b>Min. gap:</b>	3 mm	<b>Max. length:</b>	1.600 mm
<b>Max. gap:</b>	20 mm	<b>Shortability:</b>	standard lengths:
<b>Max. stroke:</b>	20 mm		150 mm
<b>Customizable:</b>	Yes		

STANDARD LENGTH (mm)	EAN (PC.)	PACK.UNIT.	ART.NO.
628	8711286890101	6 pc./box	203400151
728	8711286890200	6 pc./box	203400152
828	8711286890309	6 pc./box	203400153
928	8711286890408	6 pc./box	203400154
1028	8711286890507	6 pc./box	203400155
1128	8711286233892	10 pc./box	203400126
1228	8711286234004	10 pc./box	203400127

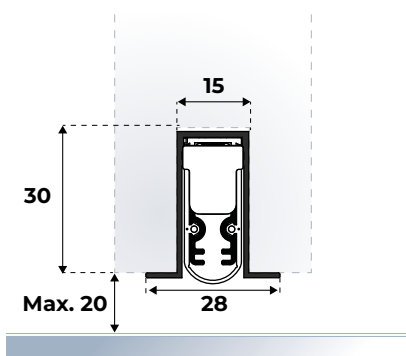
**Please note:** The drop seal length is: door width minus 2 mm. When combined with the Elegance Cassette, order the drop seal 1 mm smaller than the Cassette length. For customization options, see the table on page 44.



## EllenMatic Soundproof Omega



**Drop seal suitable for wooden interior and exterior doors in a sheltered environment.** Draught-resistant. Attaches with screws to the bottom of the door.



<b>Material seal:</b>	Silicone	<b>Dimensions:</b>	28 x 30 mm
<b>Groove size:</b>	15 x 30 mm	<b>Min. length:</b>	300 mm
<b>Min. gap:</b>	3 mm	<b>Max. length:</b>	2.000 mm
<b>Max. gap:</b>	20 mm	<b>Shortability:</b>	standard lengths: 150 mm
<b>Max. stroke:</b>	20 mm		
<b>Customizable:</b>	Yes		

STANDARD LENGTH (mm)	EAN (PC.)	PACK.UNIT.	ART.NO.
628	8711286240067	10 pc./box	203600121
728	8711286240074	10 pc./box	203600122
828	8711286240081	10 pc./box	203600123
928	8711286240098	10 pc./box	203600124
1028	8711286240203	10 pc./box	203600125
1128	8711286240210	10 pc./box	203600126
1228	8711286240227	10 pc./box	203600127

**Please note:** The drop seal length is equal to the door width minus 2 mm. For customization options, see the table on page 44.



Mounting instruction



## EllenMatic Uni-Proof



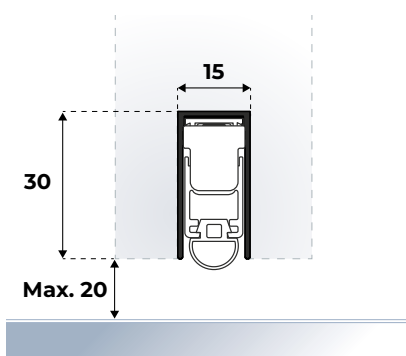
**Drop seal suitable for wooden interior and exterior doors in a sheltered environment.** Protects against draught. Attaches using suspension plates on both sides of the door. Can also be used as a surface-mounted drop seal when combined with the Elegance Cassette.



<b>Material seal:</b>	TPE	<b>Dimensions:</b>	15 x 30 mm
<b>Groove size:</b>	15 x 30 mm	<b>Min. length:</b>	300 mm
<b>Min. gap:</b>	3 mm	<b>Max. length:</b>	1.600 mm
<b>Max. gap:</b>	20 mm	<b>Shortability:</b>	standard lengths: 150 mm
<b>Max. stroke:</b>	20 mm		
<b>Customizable:</b>	Yes		

STANDARD LENGTH (mm)	EAN (PC.)	PACK.UNIT.	ART.NO.
628	8711286890804	6 pc./box	203700151
728	8711286890903	6 pc./box	203700152
828	8711286891009	6 pc./box	203700153
928	8711286891108	6 pc./box	203700154
1028	8711286891207	6 pc./box	203700155
1128	8711286234233	10 pc./box	203700126
1228	8711286234240	10 pc./box	203700127

**Please note:** The drop seal length is: door width minus 2 mm. When combined with the Elegance Cassette, order the drop seal 1 mm smaller than the Cassette length. For customization options, see the table on page 44.





Mounting instruction

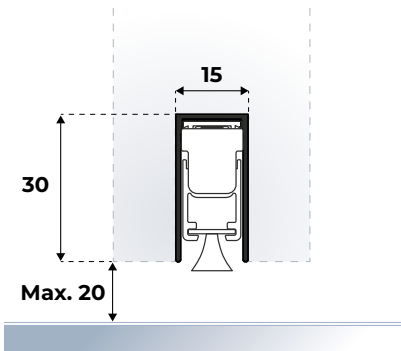


## EllenMatic Brush



**Drop seal suitable for wooden interior and exterior doors in a sheltered environment.** Protects against draught. Attaches using suspension plates on both sides of the door. Can also be used as a surface-mounted drop seal when combined with the Elegance Cassette.

<b>Material seal:</b>	Velvet brush	<b>Dimensions:</b>	15 x 30 mm
<b>Groove size:</b>	15 x 30 mm	<b>Min. length:</b>	300 mm
<b>Min. gap:</b>	3 mm	<b>Max. length:</b>	1.600 mm
<b>Max. gap:</b>	20 mm	<b>Shortability:</b>	standard lengths:
<b>Max. stroke:</b>	20 mm		150 mm
<b>Customizable:</b>	Yes		



STANDARD LENGTH (mm)	EAN (PC.)	PACK.UNIT.	ART.NO.
628	8711286891504	6 pc./box	203900151
728	8711286891603	6 pc./box	203900152
828	8711286891702	6 pc./box	203900153
928	8711286891801	6 pc./box	203900154
1028	8711286891900	6 pc./box	203900155
1128	8711286234400	10 pc./box	203900126
1228	8711286234417	10 pc./box	203900127

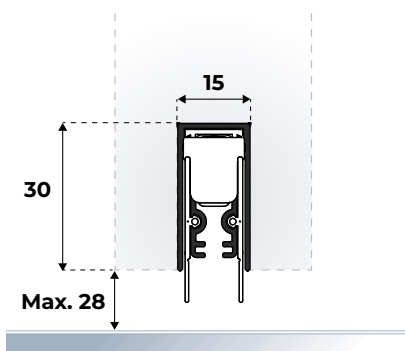
**Please note:** The drop seal length is: door width minus 2 mm. When combined with the Elegance Cassette, order the drop seal 1 mm smaller than the Cassette length. For customization options, see the table on page 44.



## EllenMatic Optimal seal



**Drop seal suitable for wooden interior and exterior doors in a sheltered environment.** Draught-resistant. With double sealing, ideal for sealing uneven surfaces. Attaches using suspension plates on both sides of the door. Can also be used as a surface-mounted drop threshold when combined with the Elegance Cassette.



<b>Material seal:</b>	Silicone	<b>Dimensions:</b>	15 x 30 mm
<b>Groove size:</b>	15 x 30 mm	<b>Min. length:</b>	300 mm
<b>Min. gap:</b>	8,5 mm	<b>Max. length:</b>	1.600 mm
<b>Max. gap:</b>	28 mm	<b>Shortability:</b>	standard lengths:
<b>Max. stroke:</b>	20 mm		150 mm
<b>Customizable:</b>	Yes		

STANDARD LENGTH (mm)	EAN (PC.)	PACK.UNIT.	ART.NO.
628	8711286240470	10 pc./box	203300121
728	8711286240487	10 pc./box	203300122
828	8711286240494	10 pc./box	203300123
928	8711286240609	10 pc./box	203300124
1028	8711286240616	10 pc./box	203300125
1128	8711286240623	10 pc./box	203300126
1228	8711286240630	10 pc./box	203300127

**Please note:** The drop seal length is: door width minus 2 mm. When combined with the Elegance Cassette, order the drop seal 1 mm smaller than the Cassette length. For customization options, see the table on page 44.



## ELLEN HELPS ONLINE



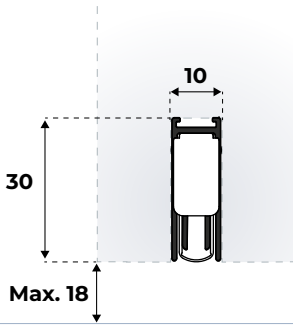
# MOUNTING

Scan the **QR-code** or our installation manual.

For more details, please visit our website [ellen-profiles.com](http://ellen-profiles.com)



Mounting instruction



#### FEATURES:

Sound insulation: 50 dB\*  
 Fire resistance: 30 and 60 minutes\*  
 Smoke resistance: cold (Sa) and hot smoke (S200)\*

\* Values achieved with a maximum of 6 mm of space under the door.

## EllenMatic Slim Soundproof



**Drop seal suitable for glass doors and wooden interior and exterior doors in sheltered environments.** Draft-, sound-, smoke-, and fire-resistant. Can be used either single or double in a door for optimal sealing. Also ideal for combining with an espagnolette. Attaches using suspension plates on both sides of the door. Can also be used as a surface-mounted drop seal when combined with the Slim Elegance Cassette.

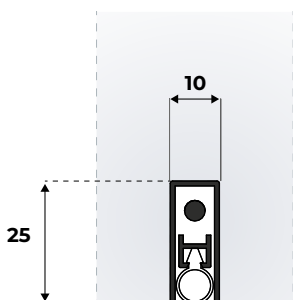
<b>Material seal:</b>	Silicone	<b>Dimensions:</b>	10 x 30 mm
<b>Groove size:</b>	10 x 30 mm	<b>Min. length:</b>	300 mm
<b>Min. gap:</b>	3 mm	<b>Max. length:</b>	1.600 mm
<b>Max. gap:</b>	18 mm	<b>Shortability:</b>	standard lengths: 150 mm
<b>Max. stroke:</b>	18 mm		
<b>Customizable:</b>	Yes		

STANDARD LENGTH (mm)	EAN (PC.)	PACK.UNIT.	ART.NO.
628	8711286268009	10 pc./box	203800121
728	8711286268023	10 pc./box	203800122
828	8711286268047	10 pc./box	203800123
928	8711286268061	10 pc./box	203800124
1028	8711286268085	10 pc./box	203800125
1128	8711286268207	10 pc./box	203800126
1228	8711286268221	10 pc./box	203800127

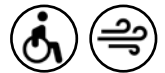
**Please note:** The drop seal length is: door width minus 2 mm. When combined with the Elegance Cassette, order the drop seal 1 mm smaller than the Cassette length. For customization options, see the table on page 44.



Mounting instruction



## EllenMatic Extra



**Drop seal suitable for wooden interior and exterior doors in a sheltered environment.** Protects against draught. Attaches using suspension plates on both sides of the door. The drop seal can also be operated on the closing side using the included accessories.

<b>Material seal:</b>	Silicone	<b>Dimensions:</b>	10 x 25 mm
<b>Groove size:</b>	12 x 20-25 mm	<b>Min. length:</b>	315 mm
<b>Min. gap:</b>	3 mm	<b>Max. length:</b>	1.030 mm
<b>Max. gap:</b>	15 mm	<b>Shortability:</b>	standard lengths: 150 mm
<b>Max. stroke:</b>	12 mm		
<b>Customizable:</b>	No		

STANDARD LENGTH (mm)	EAN (PC.)	PACK.UNIT.	ART.NO.
630	8711286893201	6 pc./box	200500151
730	8711286893300	6 pc./box	200500152
830	8711286893409	6 pc./box	200500153
930	8711286893508	6 pc./box	200500154
1030	8711286219650	10 pc./box	200500105

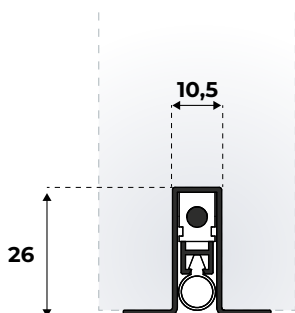


## EllenMatic Omega



**Drop seal suitable for wooden interior and exterior doors in a sheltered environment.** Protects against draught. Attaches with screws to the bottom of the door. The drop seal can also be operated on the closing side using the included accessories.

<b>Material seal:</b>	Silicone	<b>Dimensions:</b>	10,5 x 26 mm
<b>Groove size:</b>	11 x 25 mm	<b>Min. length:</b>	315 mm
<b>Min. gap:</b>	4 mm	<b>Max. length:</b>	1.030 mm
<b>Max. gap:</b>	10 mm	<b>Shortability:</b>	standard lengths: 100 mm
<b>Max. stroke:</b>	12 mm		
<b>Customizable:</b>	No		



STANDARD LENGTH (mm)	EAN (PC.)	PACK.UNIT.	ART.NO.
<b>630</b>	8711286220410	10 pc./box	200900131
<b>730</b>	8711286220427	10 pc./box	200900132
<b>830</b>	8711286220434	10 pc./box	200900133
<b>930</b>	8711286220441	10 pc./box	200900134
<b>1030</b>	8711286220458	10 pc./box	200900135

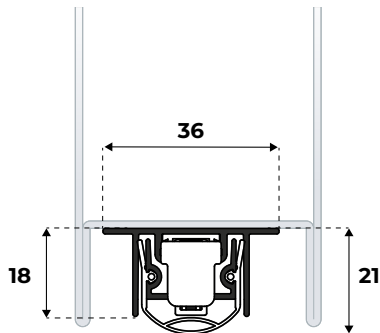
**Please note:** drop seal length: door width minus 4 mm.

# DROP SEALS FOR STEEL AND ALUMINIUM DOORS

## EllenMatic Ferro 2



**Drop seal for installation under aluminium and steel doors.** Provides draught protection and sound insulation. Attaches with screws to the bottom of the door.



**Material seal:** Silicone  
**Groove size:** n.a.  
**Max. gap:** 18 mm  
**Min gap:** 2 mm  
**Max. stroke:** 18 mm  
**Customizable:** Yes

**Dimensions:** 36 x 18 mm  
**Min. length:** 455 mm  
**Max. length:** 2.000 mm  
**Shortability:** standard lengths: 150 mm (530 mm: 50 mm)

STANDARD LENGTH (mm)	EAN (PC.)	PACK.UNIT.	ART.NR
530	8711286268603	10 pc./box	203000530
680	8711286268610	10 pc./box	203000680
830	8711286268627	10 pc./box	203000830
980	8711286268634	10 pc./box	203000980
1130	8711286268641	10 pc./box	203001130
1280	8711286268658	10 pc./box	203001280
1430	8711286268665	10 pc./box	203001430

**Please note:** screws (ø 3,5 x 20 mm) NOT included

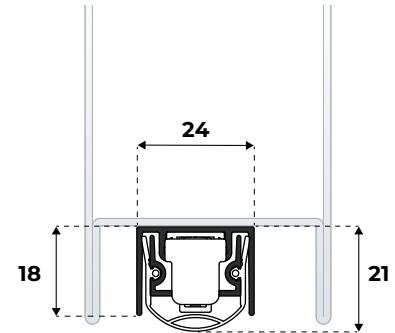
### FEATURES:

Sound insulation: 42 dB  
 Smoke resistance: cold smoke(Sa)

## EllenMatic Ferro-S 2



**Drop seal for installation under aluminium and steel doors.** Provides draft protection and sound insulation. Attaches with suspension plates on both sides of the door.



**Material seal:** Silicone  
**Groove size:** n.a.  
**Max. gap:** 18 mm  
**Min gap:** 2 mm  
**Max. stroke:** 18 mm  
**Customizable:** Yes

**Dimensions:** 24 x 18 mm  
**Min. length:** 455 mm  
**Max. length:** 1.600 mm  
**Shortability:** standard lengths: 150 mm (530 mm: 50 mm)

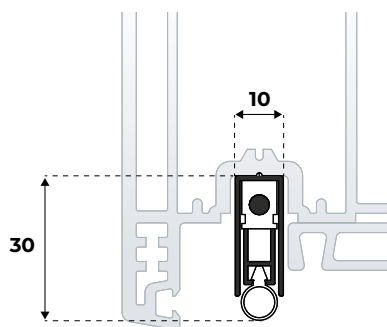
STANDARD LENGTH (mm)	EAN (PC.)	PACK.UNIT.	ART.NR
530	8711286268603	10 pc./box	203100530
680	8711286268610	10 pc./box	203100680
830	8711286268627	10 pc./box	203100830
980	8711286268634	10 pc./box	203100980
1130	8711286268641	10 pc./box	203101130
1280	8711286268658	10 pc./box	203101280

**Please note:** screws (ø 3,5 x 20 mm) NOT included

### FEATURES:

Sound insulation: 42 dB  
 Smoke resistance: cold smoke(Sa)

# DROP SEALS FOR uPVC DOORS



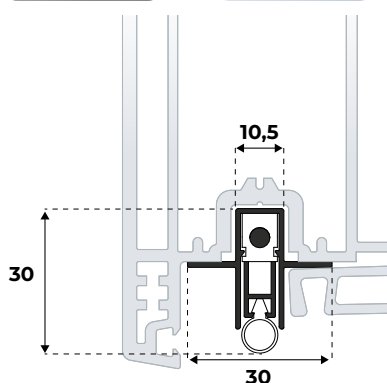
## EllenMatic 2K

**Drop seal for installation under uPVC doors.** Protects against draught. Attaches using suspension plates on both sides.

<b>Material seal:</b>	Silicone	<b>Dimensions:</b>	10 x 30 mm
<b>Groove size:</b>	Min. 10 mm	<b>Min. length:</b>	315 mm
<b>Min. gap:</b>	3 mm	<b>Max. length:</b>	1.230 mm
<b>Max. gap:</b>	Depending on door detailing	<b>Shortability:</b>	100 mm
<b>Max. stroke:</b>	10 mm		

STANDARD LENGTH (mm)	EAN (PC.)	PACK.UNIT.	ART.NO.
630	8711286219414	10 pc./box	200400131
730	8711286219421	10 pc./box	200400132
830	8711286219438	10 pc./box	200400133
930	8711286219445	10 pc./box	200400134
1030	8711286219452	10 pc./box	200400135
1130	8711286219469	10 pc./box	200400136
1230	8711286219476	10 pc./box	200400137

**Door width** is the length of the drop seal.



## EllenMatic 2K Euro



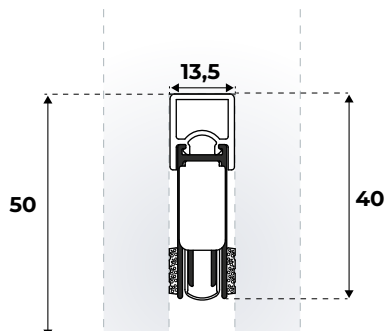
**Drop seal for installation under uPVC doors.** Protects against draught. Attaches using suspension plates on both sides of the door.

<b>Material seal:</b>	Silicone	<b>Dimensions:</b>	30 x 30 mm
<b>Groove size:</b>	11 mm	<b>Min. length:</b>	280 mm
<b>Min. gap:</b>	3 mm	<b>Max. length:</b>	1.230 mm
<b>Max. gap:</b>	Depending on door detailing	<b>Shortability:</b>	100 mm
<b>Max. stroke:</b>	10 mm		

STANDARD LENGTH (mm)	EAN (PC.)	PACK.UNIT.	ART.NO.
630	8711286222018	10 pc./box	200700131
730	8711286222025	10 pc./box	200700132
830	8711286222032	10 pc./box	200700133
930	8711286222049	10 pc./box	200700134
1030	8711286222056	10 pc./box	200700135
1130	8711286222063	10 pc./box	200700136
1230	8711286222070	10 pc./box	200700137

**Door width** is the length of the drop seal.

# DROP SEAL ACCESSORIES



## Adapterset voor Slim Soundproof

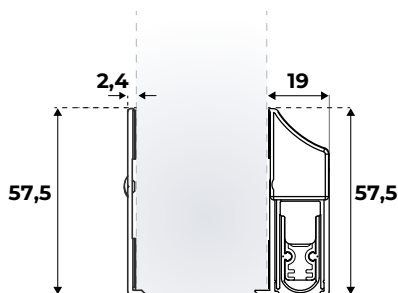


With the adapter set for the EllenMatic Slim Soundproof drop seal, it is easy to quickly create a replacement for the EllenMatic Super (groove size 13,5 x 47 mm) or Special 2 (groove size 13,5 x 40 mm). The screw holes in the suspension plates are positioned so that they fit exactly over the existing screw holes. This creates a visually neat seal on the side of the door. Note: Order the Slim Soundproof separately!

### Contents of the adapter set:

- 5 spacers
- 2 suspension plates made of fiberglass-reinforced material
- 5 Dynaplus universal screws
- Filler tape

EAN (PC.)	PACK.UNIT.	ART.NO.
8711286268443	1 set/box	203800000



## Elegance Cassette and Protection plate



The Elegance Cassette is an aluminium holder profile for EllenMatic drop seals. It allows a quick and easy sealing of gaps under doors, thus preventing draught and sound insulation. The holder profile is mounted on the underside of the door leaf. It is available in VOM1 (anodized), brushed stainless steel, and brushed black. Note: It is necessary for the drop seal to be activated against the door frame to proper function. The surface-mounted cassette is suitable for: EllenMatic Soundproof, Uni-Proof, Brush, and Optimal Seal.

Combine the surface-mounted Cassette with the Elegance Protection plate to protect the underside of the door leaf from damage or to avoid visibility on the back of the drop seal on glass doors.

Note: drop seal needs to be ordered separately!

<b>Dimensions Cassette:</b> 19 x 57,5 mm	<b>Protection plate:</b> 2,4 x 57,5 mm
<b>Min. length:</b> 300 mm	<b>Max. length:</b> 1.600 mm
<b>Customizable:</b> Yes	

### ELEGANCE CASSETTE

STANDARD LENGTH (mm)		EAN (PC.)	PACK.UNIT.	ART.NR
1000	VOM1	8711286893706	6 pc./box	208000510
1000	St. steel	8711286236220	5 pc./box	208000310
1000	Black	8711286236237	5 pc./box	208000410

### ELEGANCE PROTECTION PLATE

STANDARD LENGTH (mm)		EAN (PC.)	PACK.UNIT.	ART.NR
1030	VOM1	8711286236213	5 pc./box	209000103
1030	St. steel	8711286236244	5 pc./box	209000310
1030	Black	8711286236251	5 pc./box	209000410



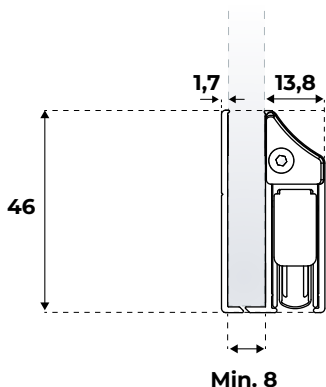


## Slim Elegance Cassette and Protection plate



**The Slim Elegance Cassette is an aluminium holder profile for the EllenMatic Slim Soundproof.** It allows a quick and easy sealing of gaps under doors, thus preventing draught and sound insulation. The holder profile is mounted on the underside of the door leaf. It is available in VOM1 (anodized), brushed stainless steel, and brushed black. Note: It is necessary for the drop seal to be activated against the door frame to proper function.

Combine the surface-mounted Slim Cassette with the Slim Elegance Protection plate to protect the underside of the door leaf from damage or to avoid visibility on the back of the drop seal on glass doors. Note: drop seal needs to be ordered separately!



<b>Dimensions Cassette:</b>	13,8 x 46 mm
<b>Dimensions protection plate:</b>	1,7 x 46 mm
<b>Min. length:</b>	300 mm
<b>Max. length:</b>	1.600 mm
<b>Customizable:</b>	Yes

### SLIM ELEGANCE CASSETTE

STANDARD LENGTH (mm)		EAN (PC.)	PACK.UNIT.	ART.NO.
<b>Customizable</b>	VOM1	n.a.	per piece	208100099
<b>Customizable</b>	St. steel	n.a.	per piece	208100099
<b>Customizable</b>	Black	n.a.	per piece	208100099

### SLIM ELEGANCE PROTECTION PLATE

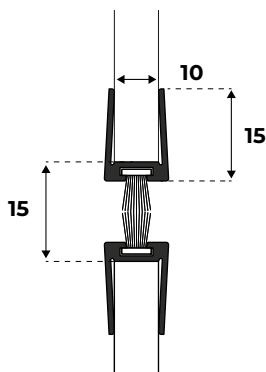
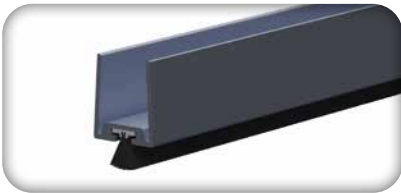
STANDARD LENGTH (mm)		EAN (PC.)	PACK.UNIT.	ART.NR
<b>Customizable</b>	VOM1	n.a.	per piece	208100099
<b>Customizable</b>	St. steel	n.a.	per piece	208100099
<b>Customizable</b>	Black	n.a.	per piece	208100099

# 9

## SPECIAL PROFILES

Rain deflectors and profiles for sealing glass doors, swing door and revolving doors, as well as centre lock profiles.

### GLASS DOOR PROFILES



#### GDP

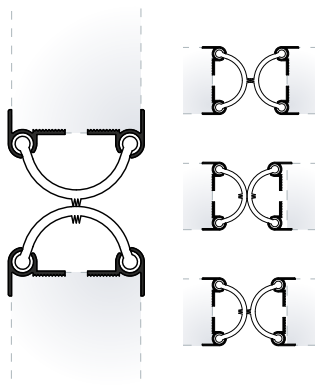
**Self-clamping, anodized aluminium profiles to protect and seal the edges of glass doors.** Equipped with a soft velvet brush for draft control. Only available for a glass thickness of 10 mm.

**Material seal:** Velvet brush  
**Dimensions:** 15 x 10 mm  
**Customizable:** No

PRODUCT	STANDARD LENGTH (mm)	EAN (pieces)	PACK.UNIT.	ART.NO.
<b>GPD 10 mm</b>	225	8711286318018	10 lgt./tube	410350025

**Installation instructions:** Measure the door height, cut the profile to the rights, deburr the aluminium and carefully place it on the door.

# SWING REVOLVING DOOR PROFILES



## DNP

**Anodized aluminium profiles with black PVC seals for mounting on the end of swing doors.** The DNP is available for doors with thicknesses of 32 to 40 mm, 40 to 50 mm, and 50 to 60 mm, and in lengths of 224 and 250 cm. Each door requires two aluminium profiles and one seal. The seal can be installed in two ways; see also the cross-sectional image below.

**Material holder profile:** Anodised aluminium  
**Material seal:** PVC  
**Colour seal:** Black  
**Customizable:** No

PRODUCT	STANDARD LENGTH (mm)	EAN (pieces)	PACK.UNIT.	ART.NO.
Aluminium	224	8711286310012	20 lgt./tube	400150922
Aluminium	250	8711286310029	20 lgt./tube	400400925

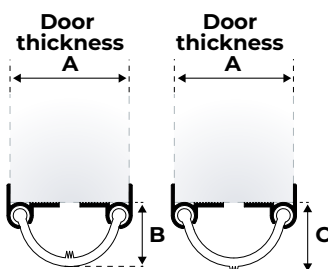
DOOR THICKNESS 32 - 40 MM				
PVC 55 mm	224	8711286310019	10 pc./box	800400922
PVC 55 mm	250	8711286310026	10 pc./box	800400925

DOOR THICKNESS 40 - 50 MM				
PVC 60 mm	224	8711286312016	10 pc./box	800600922
PVC 60 mm	250	8711286312023	10 pc./box	800600925

DOOR THICKNESS 50 - 60 MM				
PVC 75 mm	224	8711286313013	10 pc./box	800800922
PVC 75 mm	250	8711286310020	10 pc./box	800800925

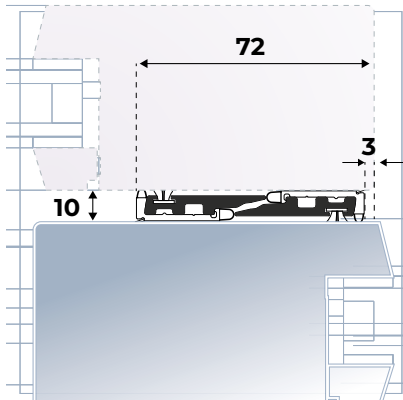
**Installation instructions:** Measure the door height, cut the profile to size, deburr it, and screw it onto the door. Then apply the seal.

### DETERMINING THE TYPE AND PLACEMENT OF PVC SEAL



	PVC 55 mm				PVC 60 mm					PVC 75 mm					
Door thickness A	32	36	38	40	40	42	44	46	50	50	52	54	56	58	60
Size B	24	23	22	21	25	24	23	22	20	30	29	28	27	26	25
Size C	25	24	23	22	26	25	24	23	21	31	30	29	28	27	26

# CENTRE LOCK PROFILES



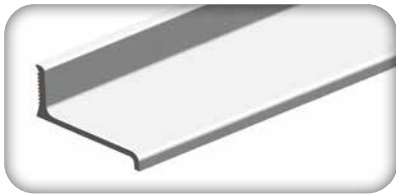
## AMSP- 7210

**Insulated aluminium centre lock profile (VOM1) for wooden sliding doors with a special plastic sealing profile and a brush profile equipped with a Finseal insert for optimal protection against air and moisture infiltration.** Burglar resistance class 2 according to NEN 5096 (meets the requirements of the police-approved Safe Living label). Class 4 for air permeability according to EN 12207, class 3A for watertightness according to EN 12208, and class 5 for wind load according to EN 12210. A set consists of two profiles.

<b>Material profile:</b>	Anodised aluminium
<b>Material seal:</b>	Plastic
<b>Material brush:</b>	Velvet brush with Finseal
<b>Dimensions:</b>	72 x 10 mm
<b>Customizable:</b>	No

STANDARD LENGTH (CM)	EAN (PC.)	PACK.UNIT.	ART.NO.
250	8711286474257	1 set/tube	713050925
300	8711286474264	1 set/tube	713050930

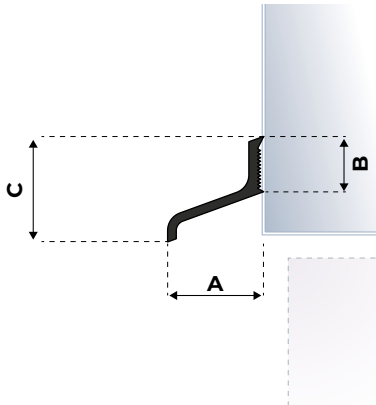
**Installation instructions:** Measure the door height, cut the profiles to size, deburr, and install. See the enclosed installation instructions.



## ALD A125

**Aluminium profile that serves as a water barrier on the top sill of inward- and outward-opening windows and doors.** The profile can also be installed at the bottom of inward-opening windows and doors. The profile is available in three heights: 25, 35, or 50 mm; see the cross-sectional drawing.

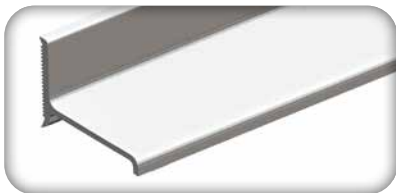
**Material:** Aluminium  
**Pre-drilled:** No  
**Customizable:** No



PRODUCT	STANDARD LENGTH (CM)	EAN (PC.)	PACK.UNIT.	ART.NO.
<b>ALD A 125</b>	500	8711286340224	10 lgt./tube	430500950

**Installation instructions:** Measure the width of the door/window, cut the profile to size, pre-drill with a drill bit, and tighten the screws.

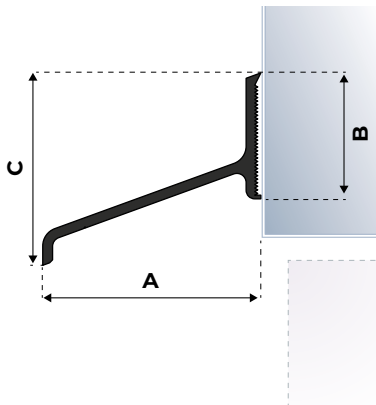
DIMENSIONS	A	B	C
<b>A125</b>	25	12	24



## ALD A135 en A150

**Aluminium profile that serves as a water barrier on the top sill of inward- and outward-opening windows and doors.** The profile can also be installed at the bottom of inward-opening windows and doors. The profile is available in three heights: 25, 35, or 50 mm; see the cross-sectional drawing.

**Material:** Aluminium  
**Pre-drilled:** No  
**Customizable:** No



PRODUCT	STANDARD LENGTH (CM)	EAN (PC.)	PACK.UNIT.	ART.NO.
<b>ALD A 135</b>	500	8711286340231	10 lgt./tube	430700950
<b>ALD A 150</b>	500	8711286340248	10 lgt./tube	430900950

**Installation instructions:** Measure the width of the door/window, cut the profile to size, pre-drill with a drill bit, and tighten the screws.

DIMENSIONS	A	B	C
<b>ALDA A135</b>	25	21	31
<b>ALDA A150</b>	25	21	37

# 10 LETTERBOX COVERS

Plastic, aluminium, or stainless steel covers for draught control on the inside of the letterbox passage.

## BASIC PLASTIC

**Plastic letterbox cover for the inside of the front door, to prevent draughts.** Equipped with a black brush. Complies with postal standards. Available in white and brown plastic with a subtle wood grain.



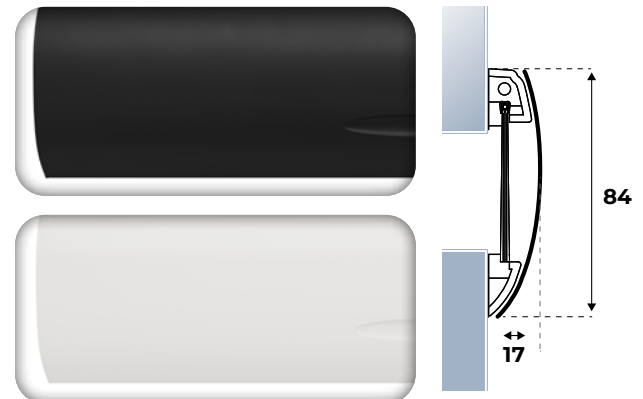
**Material cover:** Plastic  
**Dimensions:** 340 x 84 mm  
**Post insert:** 280 x 42 mm

COLOUR	EAN (PC.)	PACK.UNIT.	ART.NO.
White	8712286880102	10	810201050
Brown	8711286880201	10	810202050

**Installation instructions:** Determine the position, mark the screw holes, pre-drill, and then assemble using the supplied screws.

## PLASTIC

**Plastic letterbox cover for the inside of the front door, to prevent draughts.** Equipped with a black brush. Complies with postal standards. Available in white and black plastic.



**Material cover:** Plastic  
**Dimensions:** 340 x 84 mm  
**Post insert:** 280 x 42 mm

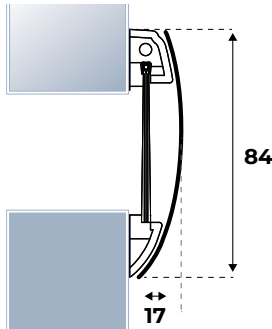
COLOUR	EAN (PC.)	PACK.UNIT.	ART.NO.
White	8711286880409	10	810201150
Black	8711286880300	10	810204050

**Installation instructions:** Determine the position, mark the screw holes, pre-drill, and then assemble using the supplied screws.



## ALUMINIUM

**Aluminium letterbox cover for the inside of the front door, to prevent draughts.** Equipped with a black brush. Complies with postal standards. Available in black only.



**Material cover:** Aluminium  
**Dimensions:** 340 x 84 mm  
**Post insert:** 280 x 42 mm

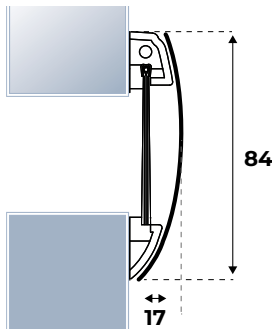
COLOUR	EAN (PC.)	PACK.UNIT.	ART.NO.
Black	8711286880706	5	810309050

**Installation instructions:** Determine the position, mark the screw holes, pre-drill, and then assemble using the supplied screws.



## INOX

**Stainless steel letterbox cover for the inside of the front door, to prevent draughts.** Equipped with a black brush. Complies with postal standards.



**Material cover:** Stainless steel  
**Dimensions:** 340 x 84 mm  
**Post insert:** 280 x 42 mm

COLOUR	EAN (PC.)	PACK.UNIT.	ART.NO.
Stainless steel	8711286880805	5	810400050

**Installation instructions:** Determine the position, mark the screw holes, pre-drill, and then assemble using the supplied screws.



FINPROTECT PLUS

# PREVENT FINGER ENTRAPMENT

**Safety management** is an important aspect in professional childcare. But accidents also lurk in **schools, hospitals, and nursing homes**, and safety requires constant attention. **Safety management** is about preventing physical accidents. Whether it's a **fall, burn, or a finger caught in a door**, prevention is key.

That is why Ellen developed Finprotect Plus, the professional solution against painful finger entrapment. Solid and beautifully designed profiles that have been carefully tested and contribute to a safe living environment.



## Various colors available

(The color shown is an approximation of the RAL color)

RAL 9010

White

RAL 9005

Black

RAL 7016

Anthracite

RAL 9006

Silver





## ALL THE BENEFITS AT A GLANCE:



- A suitable profile for every door type
- Prevents trapped fingers between the door and the frame on the hinge side
- Protects both sides of the door
- For indoor use
- Installs in 20 minutes and is easy to remove
- Various versions for different door types
- Available in multiple colors
- Tested for 1 million door cycles
- TÜV certified
- Available in lengths of 198 cm and 250 cm

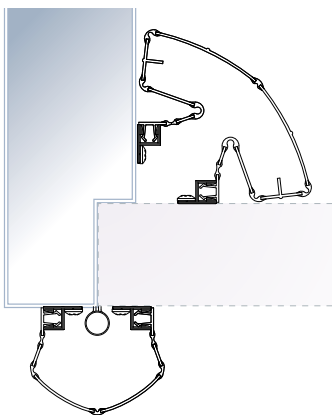


# 11

# FINGER PROTECTION

Products to prevent finger entrapment on the hinge and locking sides of doors.

## FINPROTECT PLUS



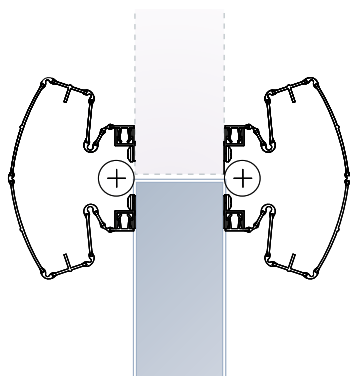
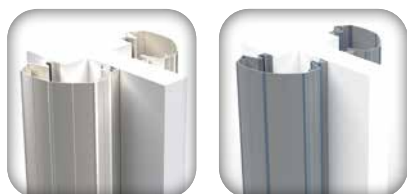
### FINPROTECT PLUS 5090

**Finger protection profile for flush doors and overlay wooden doors.**

Protects the hinge side of the door, on both sides. Finprotect Plus 5090 is supplied as a door set and consists of: 4 aluminium holder profiles for installation on the door and frame and 2 cover caps that close the gap between the door and frame. TÜV, SHR, and SKG certified.

**Cover material:** PVC  
**Door type:** Flush and rebated wooden doors  
**Max. opening angle:** 130° to 150°  
**Max. arc length:** 80 mm

COLOUR	LENGTH (CM)	EAN (PC.)	PACK.UNIT.	ART.NO.
White	198	8711286337408	5 sets/box	805301198
White	250	8711286337415	5 sets/box	805301250
Black	198	8711286337422	5 sets/box	805304198
Black	250	8711286337439	5 sets/box	805304250
Silver	198	8711286337484	5 sets/box	805322198
Silver	250	8711286337491	5 sets/box	805322250
Anthracite	198	8711286338825	5 sets/box	805310198
Anthracite	250	8711286338832	5 sets/box	805310250

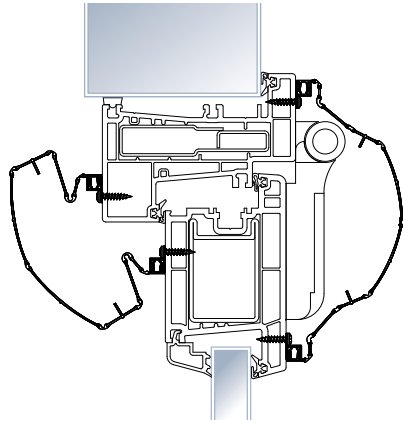


## FINPROTECT PLUS 9090

**Finger protection profile for swing and hinged doors with bomber hinges.** Protects the hinge side of the door, on both sides. Finprotect Plus 9090 is supplied as a door set and consists of: 4 aluminium holder profiles for installation on the door and frame and 2 cover caps that close the gap between the door and frame. TÜV, SHR, and SKG certified.

<b>Cover material:</b>	PVC
<b>Door type:</b>	Swing doors and hinged doors with bomber hinges
<b>Max. opening angle:</b>	130° to 150°
<b>Max. arc length:</b>	80 mm

COLOUR	LENGTH (CM)	EAN (PC.)	PACK.UNIT.	ART.NO.
<b>White</b>	198	8711286337606	3 sets/box	805401198
<b>White</b>	250	8711286337613	3 sets/box	805401250
<b>Black</b>	198	8711286337620	3 sets/box	805404198
<b>Black</b>	250	8711286337637	3 sets/box	805404250
<b>Silver</b>	198	8711286337682	3 sets/box	805422198
<b>Silver</b>	250	8711286337699	3 sets/box	805422250
<b>Anthracite</b>	198	8711286338849	3 sets/box	805410198
<b>Anthracite</b>	250	8711286338856	3 sets/box	805410250

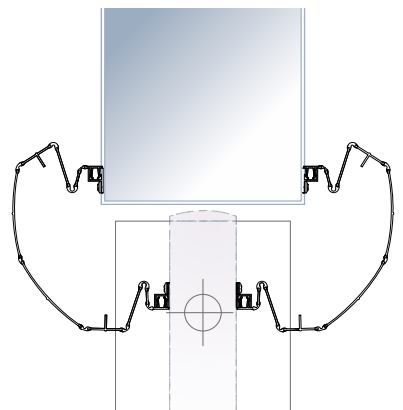
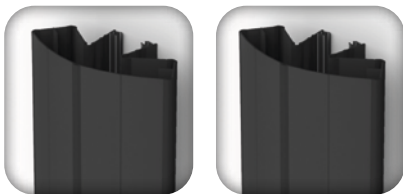


## FINPROTECT PLUS 90120

**Finger protection profile for metal, steel, and uPVC doors.** Protects the hinge side of the door on both sides. Finprotect Plus 90120 is supplied as a door set and consists of: 4 aluminium holder profiles for installation on the door and frame and 2 cover caps that close the gap between the door and frame. TÜV, SHR, and SKG certified.

**Cover material:** PVC  
**Door type:** Aluminium, steel and Upvc  
**Max. opening angle:** 130° to 150°  
**Max. arc length:** 150 mm

COLOUR	LENGTH (CM)	EAN (PC.)	PACK.UNIT.	ARTNR.
White	198	8711286337804	1 set/tube	805501198
White	250	8711286337810	1 set/tube	805501250
Black	198	8711286337828	1 set/tube	805504198
Black	250	8711286337835	1 set/tube	805504250
Silver	198	8711286337880	1 set/tube	805522198
Silver	250	8711286337897	1 set/tube	805522250
Anthracite	198	8711286338863	1 set/tube	805510198
Anthracite	250	8711286338870	1 set/tube	805510250



## FINPROTECT PLUS 120120

**Finger protection profile for pivot doors and swing doors with floor springs.** Protects the hinge side of the door on both sides. Finprotect Plus 120120 is supplied as a door set and consists of: 4 aluminium holder profiles for installation on the door and frame and 2 cover caps that close the gap between the door and frame. TÜV, SHR, and SKG certified.

**Cover material:** PVC  
**Door type:** Aluminium, steel and uPVC  
**Max. opening angle:** 130°  
**Max. arc length:** 150 mm

COLOUR	LENGTH (CM)	EAN (PC.)	PACK.UNIT.	ART.NO.
White	198	8711286338009	1 set/tube	805601198
White	250	8711286338016	1 set/tube	805601250
Black	198	8711286338023	1 set/tube	805604198
Black	250	8711286338030	1 set/tube	805604250
Silver	198	8711286338085	1 set/tube	805622198
Silver	250	8711286338092	1 set/tube	805622250
Anthracite	198	8711286338887	1 set/tube	805610198
Anthracite	250	8711286338894	1 set/tube	805610250



## FINPROTECT PLUS COUPLING PROFILE

**Aluminium coupling profile for connecting two plastic cover caps to bridge extremely large opening angles.**

- Material:** Aluminium
- Door type:** Revolving doors
- Max. opening angle:** 130°
- Max. arc length:** Larger than 250 mm



LENGTH (CM)	EAN (PC.)	PACK.UNIT.	ART.NO.
250	8711286338689	1 pcs./tube	805700250

## SELF-DRILLING SCREWS FINPROTECT PLUS

**Self-tapping screws for attaching Finprotect Plus to steel and aluminium window frames and doors.**

Size: 2.9 x 9.5 mm.

EAN (PC.)	PACK.UNIT.	ART.NO.
8711286904075	35 pcs./bag	850100906

## DOUBLE-SIDED TAPE FINPROTECT PLUS

**Double-sided adhesive tape for attaching Finprotect Plus to surfaces where screwfixing is not an option.**

Degrease the surface thoroughly beforehand!

EAN (PC.)	PACK.UNIT.	ART.NO.
8711286338290	10 m/roll	805700000



## SALVADITA



## SALVADITA

**Patented safety system designed to block the closing edge of the door when it slams shut.** Salvadita® only blocks the door when it slams shut. When the door is closed at normal speed, Salvadita® is not activated. Mounting template available separately.

**Cover material:** Silver  
**Door type:** Flush and overlay wooden doors

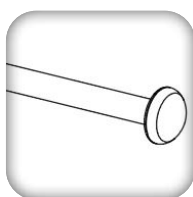
PRODUCT	EAN (PC.)	PACK.UNIT.	ART.NO.
Salvadita	8711286339075	1 pc./box	805700010
Mounting template	8711286339082	1 pc./box	805700011



# 12

## FASTENERS AND TOOLS

### NAILS AND SCREWS FOR WEATHERSTRIPS



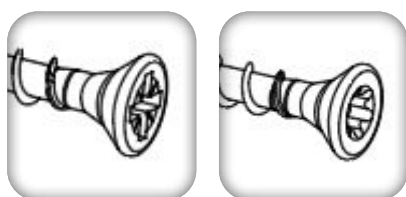
#### NAILS

Nails for mounting (rebate) perimeter seals

PRODUCT	MATERIAL	EAN (PC.)	PACK.UNIT.	ART.NO.
1,6 x 25 mm*	Galvanized iron	8711286830107	20 bags/box	850100050
1,6 x 25 mm**	Galvanized iron	8711286904044	1 kg./box	850100901
1,6 x 25 mm*	Stainless steel	8711286830206	20 bags/box	850100350
1,6 x 25 mm**	Stainless steel	8711286904068	1 kg./box	850100904

\* | 55 pcs. / \*\* | 2500 pcs.





## SCREWS

Screws for mounting (rebate) perimeter seals

PRODUCT	MATERIAL	EAN (PC.)	PACK.UNIT.	ART.NO.
2,6 x 16 mm*	Galvanized iron	8711286830305	20 bags/box	850100550
3,0 x 25 mm*	Torx 10 stainless steel	8711286830404	10 bags/box	850100750

\* | 55 pcs.

## SELF-DRILLING SCREWS FINPROTECT PLUS

Self-tapping screws for attaching Finprotect Plus to steel and aluminium window frames and doors.

Size: 2.9 x 9.5 mm.

EAN (PC.)	PACK.UNIT.	ART.NO.
8711286904075	35 pcs./bag	850100906

## DOUBLE-SIDED TAPE FINPROTECT PLUS

Double-sided adhesive tape for attaching Finprotect Plus to surfaces where screwfixing is not an option.

Degrease the surface thoroughly beforehand!

EAN (PC.)	PACK.UNIT.	ART.NO.
8711286338290	10 m/roll	805700000

## FRAME SEAL CUTTING PLIERS



### FRAME SEAL CUTTING PLIERS

Pliers for cutting frame seals. Not intended for usage on welding frame seals! Equipped with a rotating head. Color: blue.

EAN (PC.)	PACK.UNIT.	ART.NO.
8711286807604	1 pc./box	654900929





# For over 7 decades of dedication

At Ellen, we are proud of our long history, in which we have continually strived for creating the right solutions. We have raised the bar in the industry by offering **sustainable solutions and reliable products.**

Read more: [www.ellen-profiles.com](http://www.ellen-profiles.com)

# NEW PACKAGING

IMPROVED SHELF NAVIGATION & PREMIUM APPEARANCE



Did you know that **Ellen's service** goes beyond just a catalog and a website?

We regularly highlight relevant market developments, such as smoke and fire protection or creating pleasant living and working environments.

You can find information about these topics on our website or on one of our social media channels:



Ellen Profiles

